

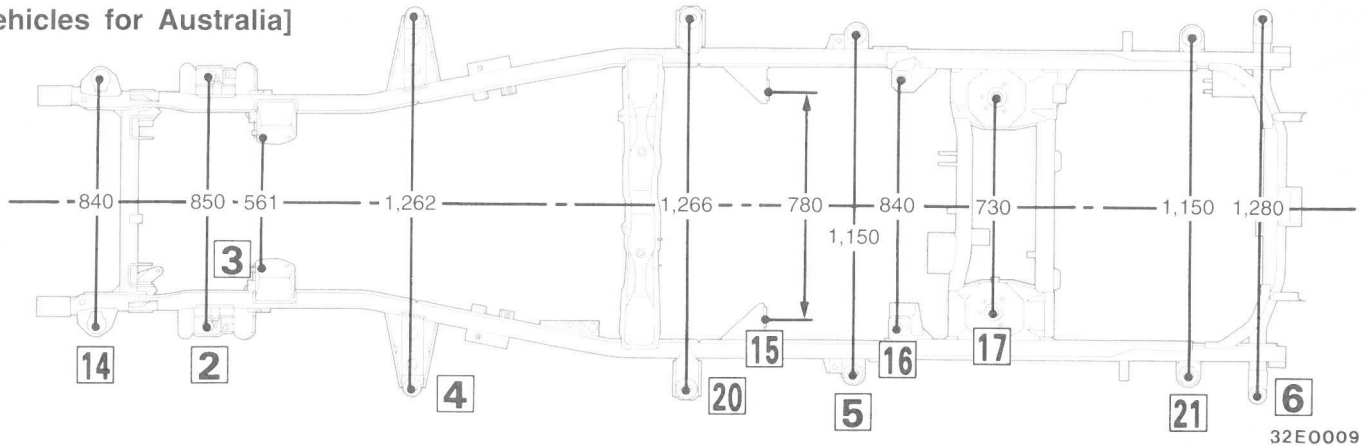
[Vehicles for Europe]

[Vehicles for General Export (4M40, 6G72, 6G74)]

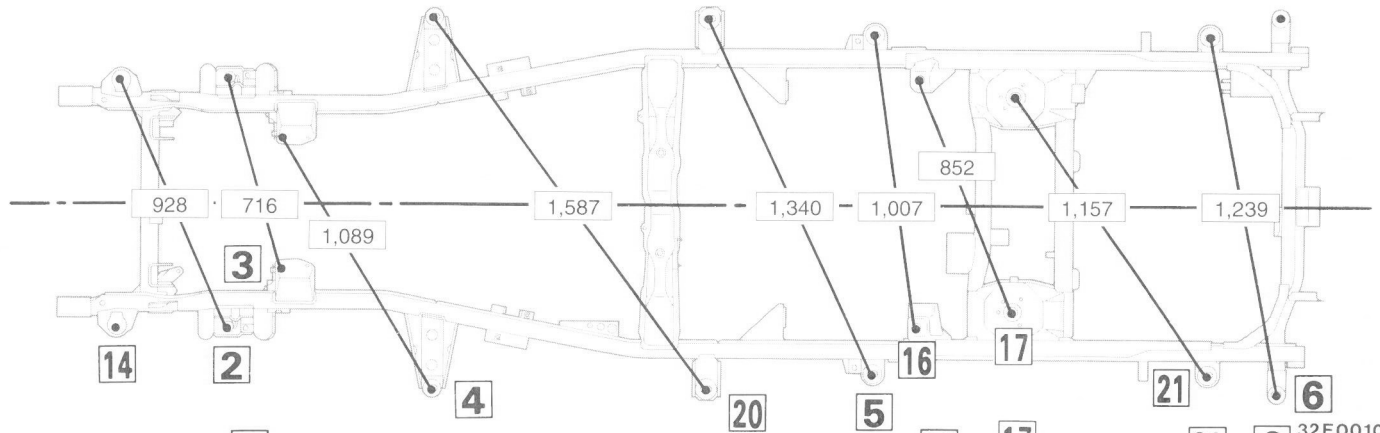
[Vehicles for GCC (4M40, 6G74)]

[Vehicles for Australia]

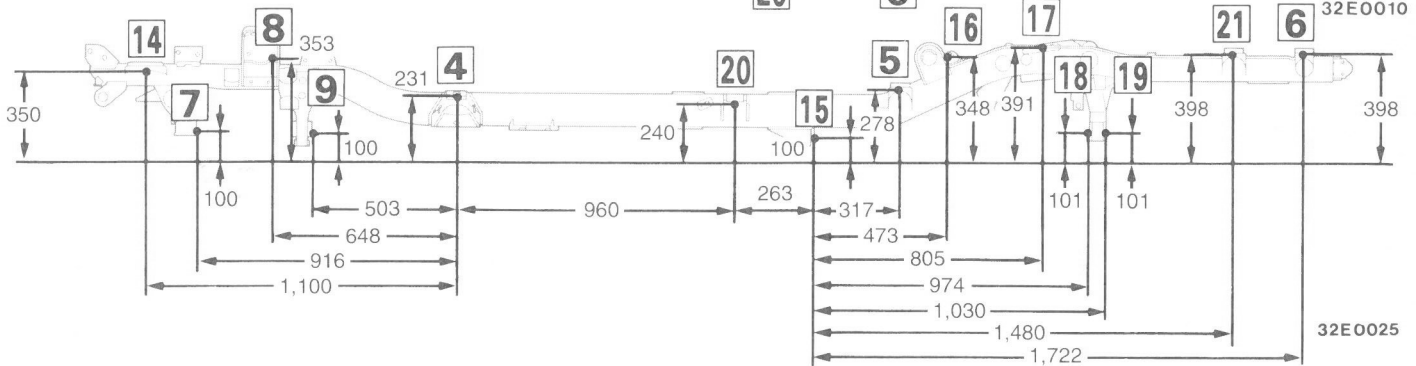
mm



32E0009



32E0010



32E0025

No.	Standard measurement point	Hole shape – Size mm	No.	Standard measurement point	Hole shape – Size mm
2	Centre of shock absorber mounting hole	○ – 15	14*	Centre of body mounting hole	□ – 30×38
3	Centre of engine mount mounting hole	○ – 11	15	Centre of lower arm mounting hole	○ – 32
4*	Centre of body mounting hole	□ – 30×38	16	Centre of shock absorber mounting hole	○ – 15
5*	Centre of body mounting hole	□ – 30×38	17	Centre of spring seat mounting hole	○ – 32
6*	Centre of body mounting hole	□ – 30×38	18	Centre of lateral rod mounting hole (front side)	○ – 16.2
7	Centre of lower arm mounting hole	○ – 15	19	Centre of lateral rod mounting hole (rear side)	○ – 16.2
8	Centre of upper arm mounting hole	○ – 12.5	20*	Centre of body mounting hole	□ – 30×38
9	Centre of lower arm mounting hole	○ – 40	21*	Centre of body mounting hole	□ – 30×38

NOTES: The * mark indicates the mounting position for the frame centring gauge.