

**TYPE B (ACTUAL-MEASUREMENT DIMENSIONS)**

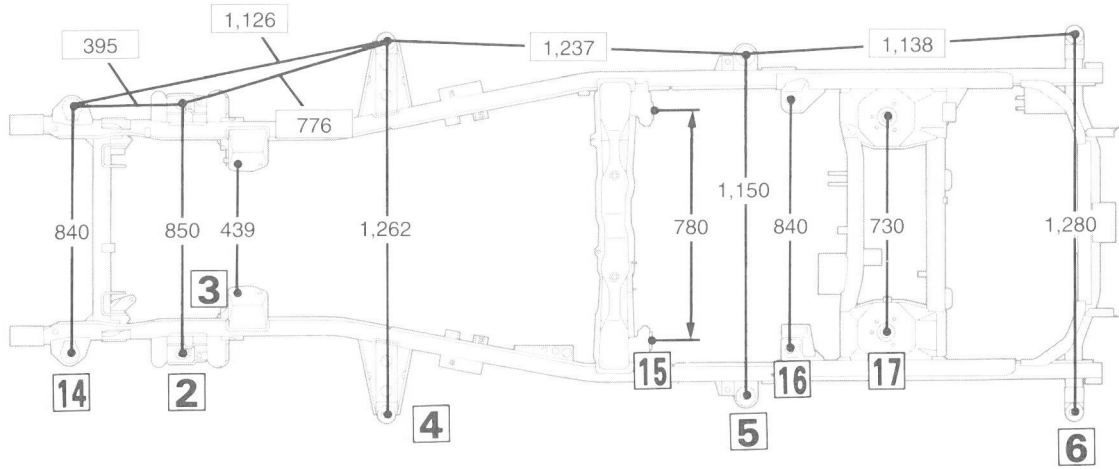
**FRAME**

<2-door models (3 link coil spring type rear suspension)>

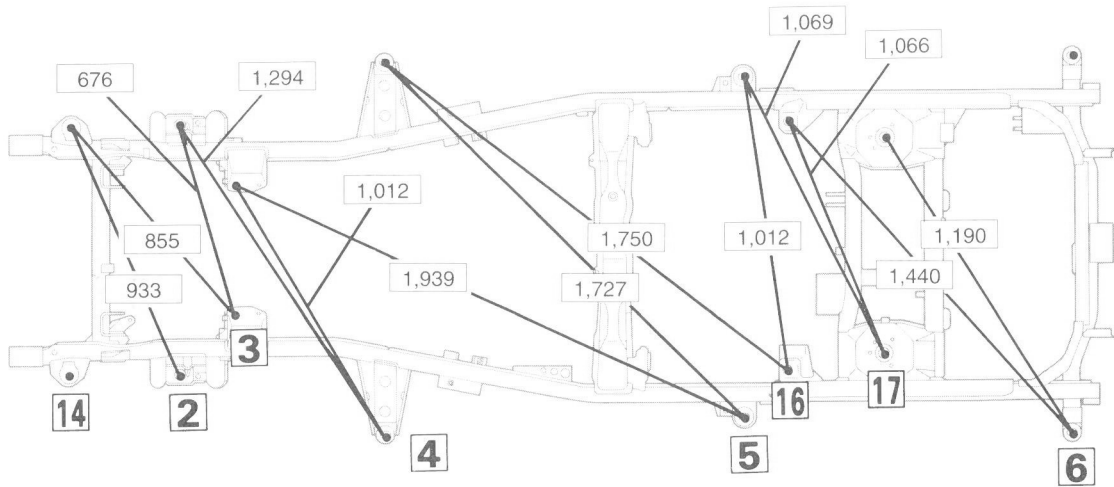
[Vehicles for General Export (4D56)]

[Vehicles for GCC (4D56, 6G72)]

mm



32E0023



32E0024

No.	Standard measurement point	Hole shape – Size mm	No.	Standard measurement point	Hole shape – Size mm
2	Centre of shock absorber mounting hole	○ – 15	14	Centre of body mounting hole	□ – 30×38
3	Centre of engine mount mounting hole	○ – 11	15	Centre of lower arm mounting hole	○ – 32
4	Centre of body mounting hole	□ – 30×38	16	Centre of shock absorber mounting hole	○ – 15
5	Centre of body mounting hole	□ – 30×38	17	Centre of spring seat mounting hole	○ – 32
6	Centre of body mounting hole	□ – 30×38			