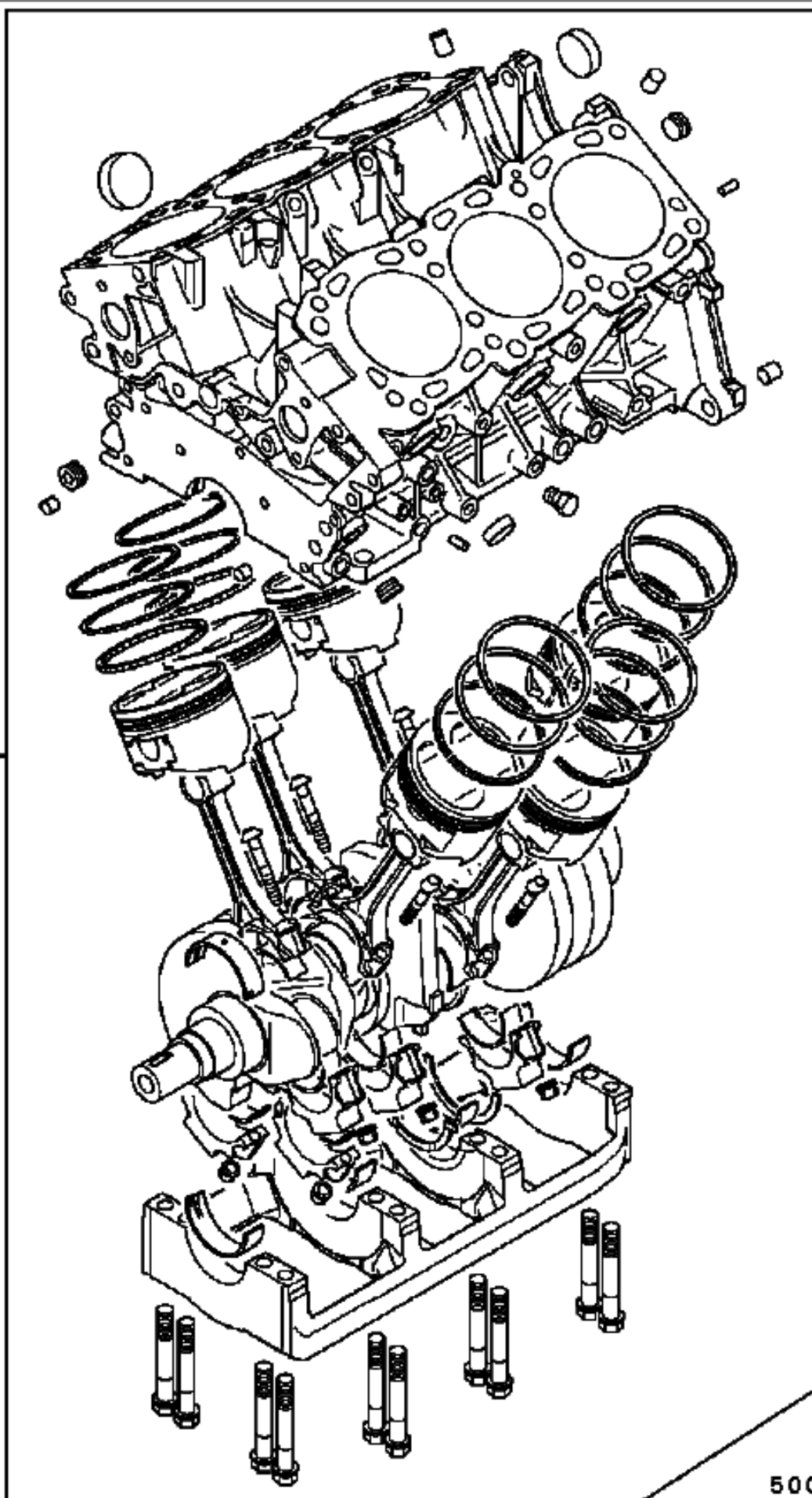


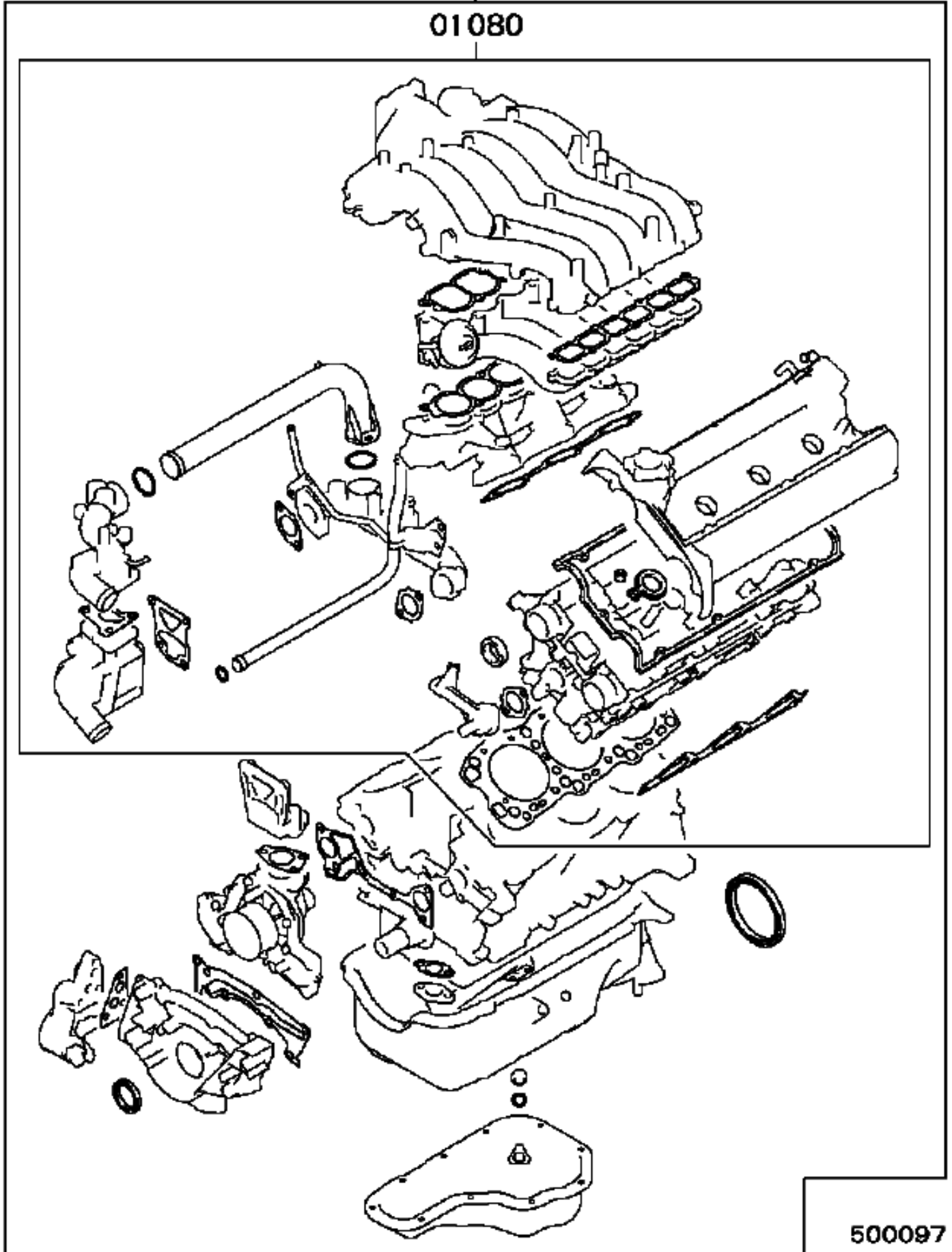
01010A



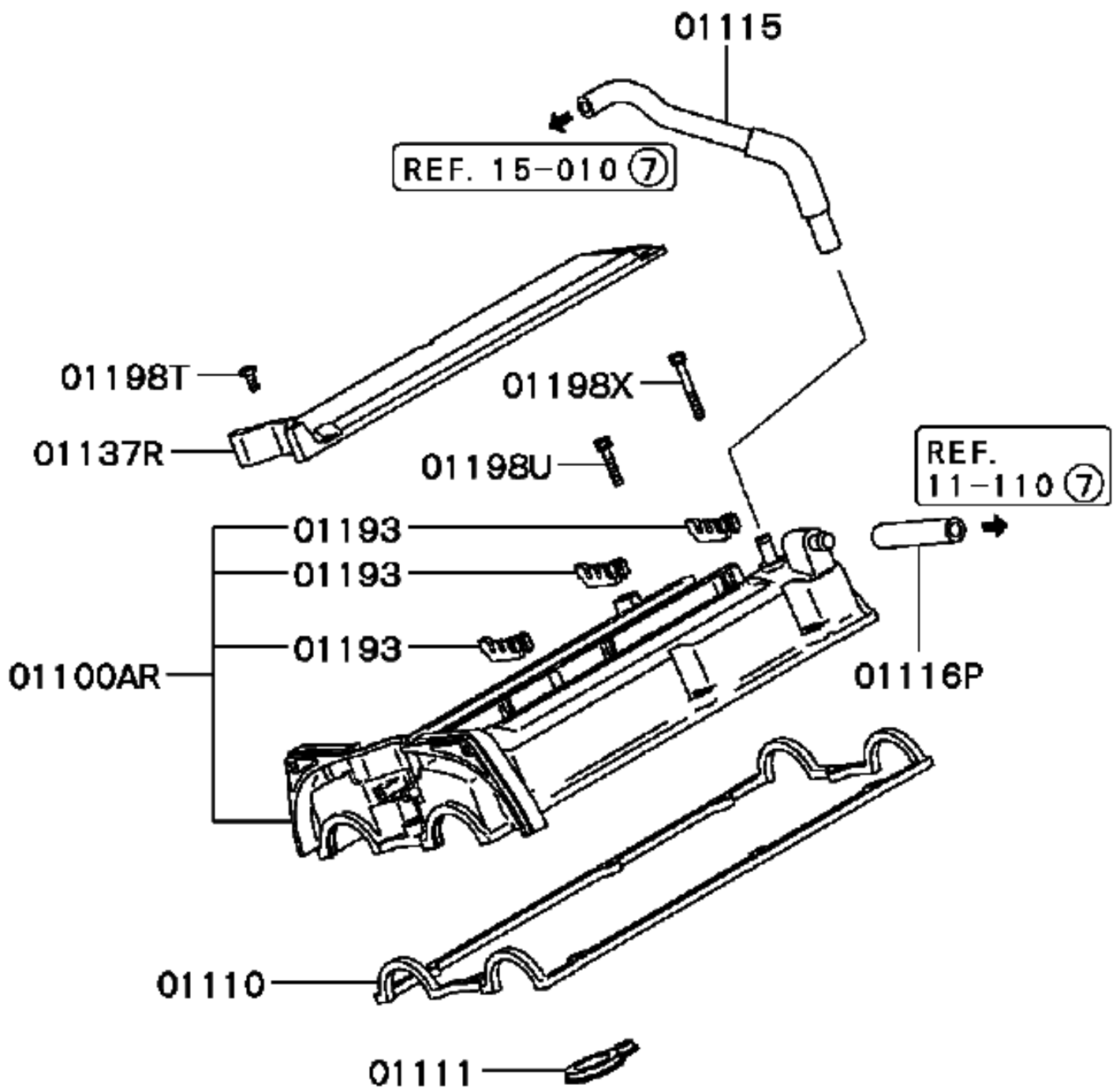
500037

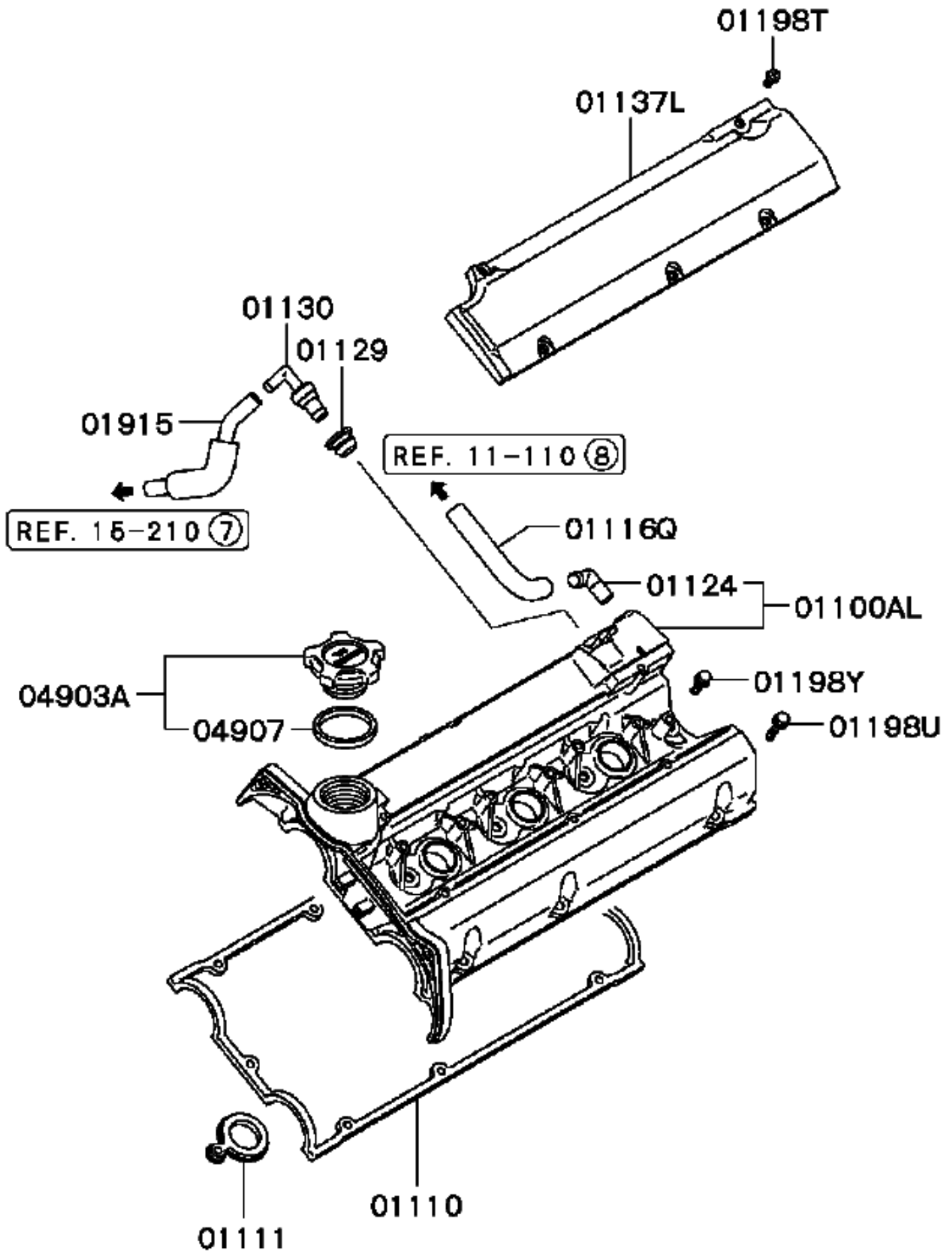
01070

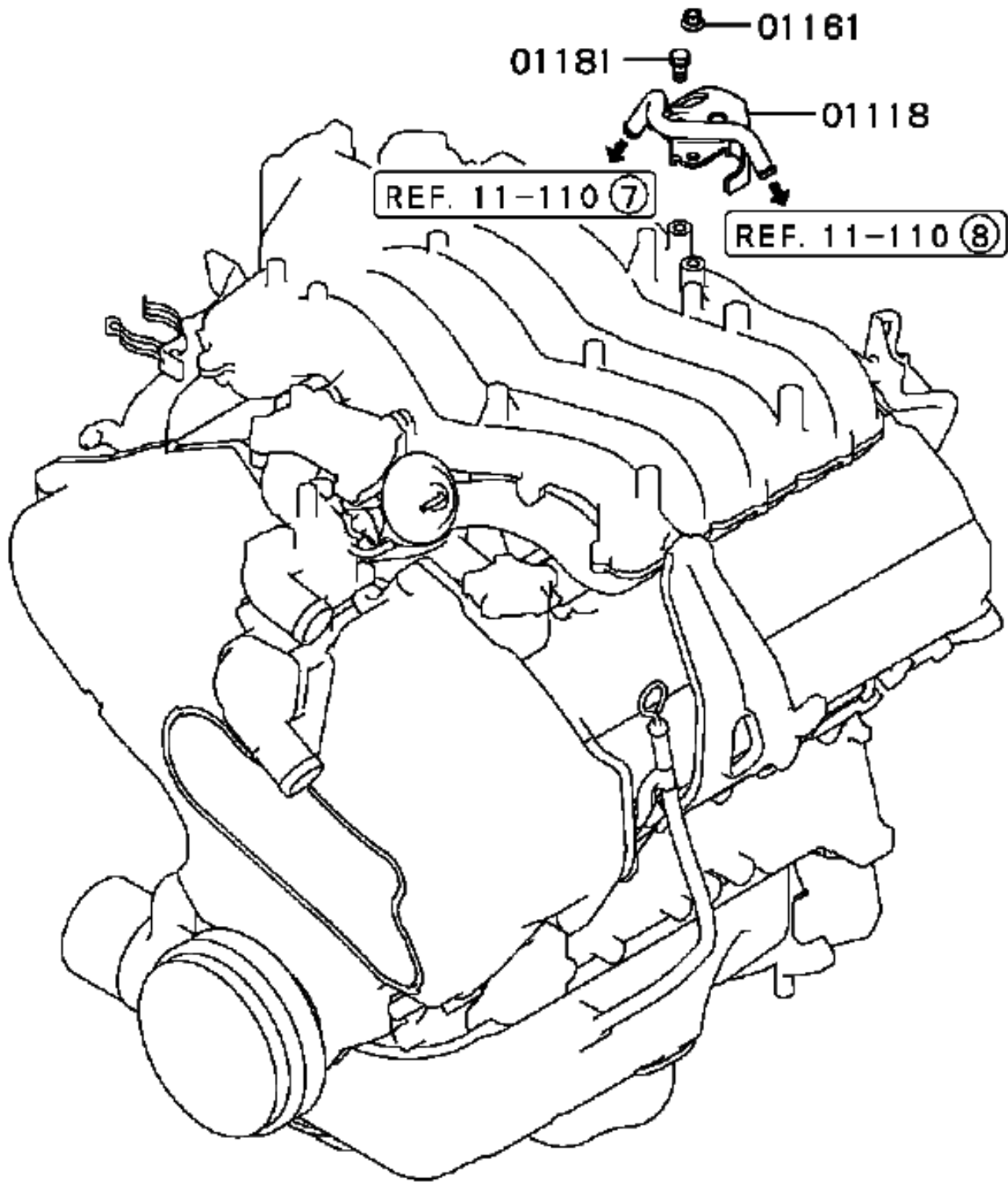
01080

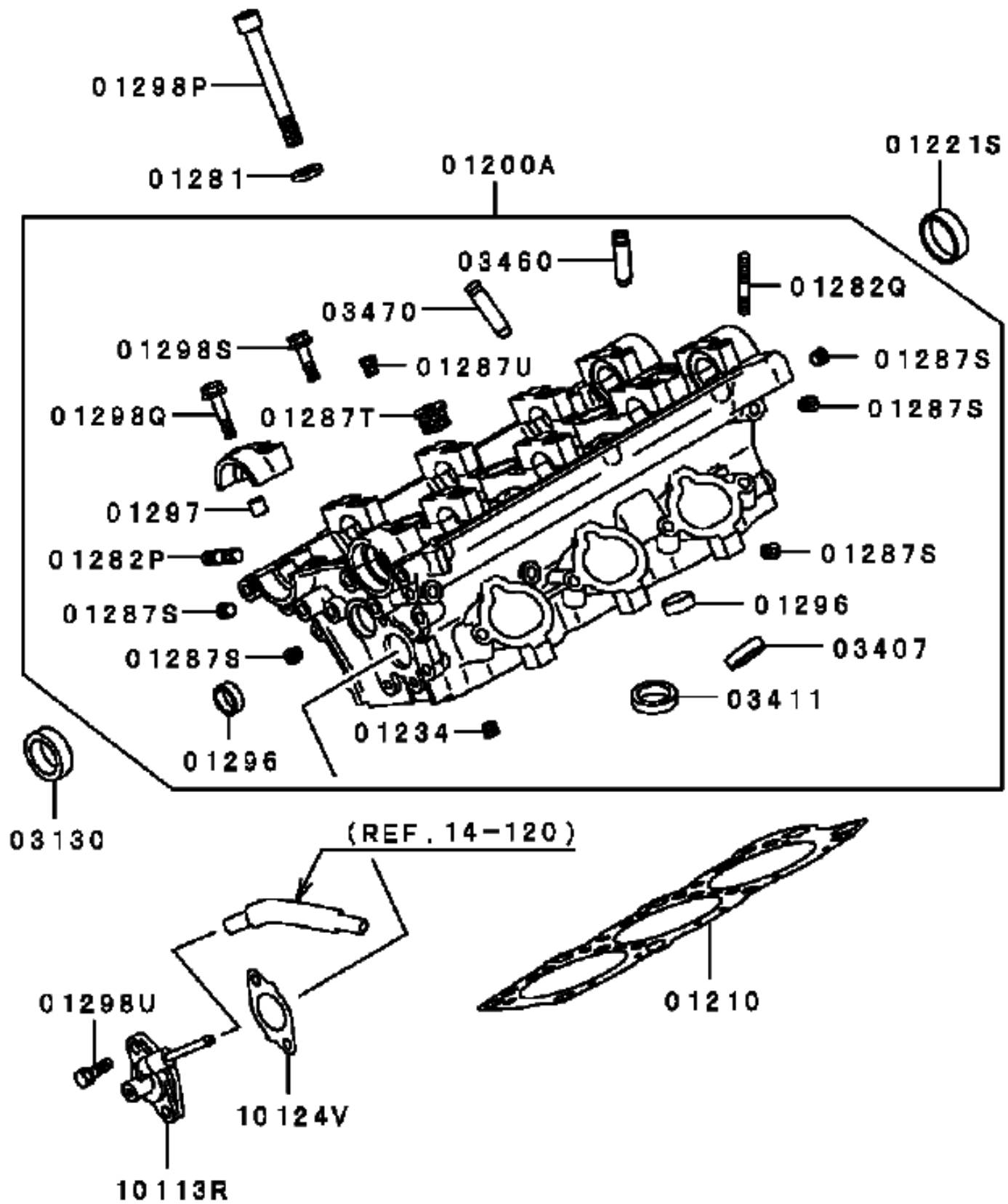


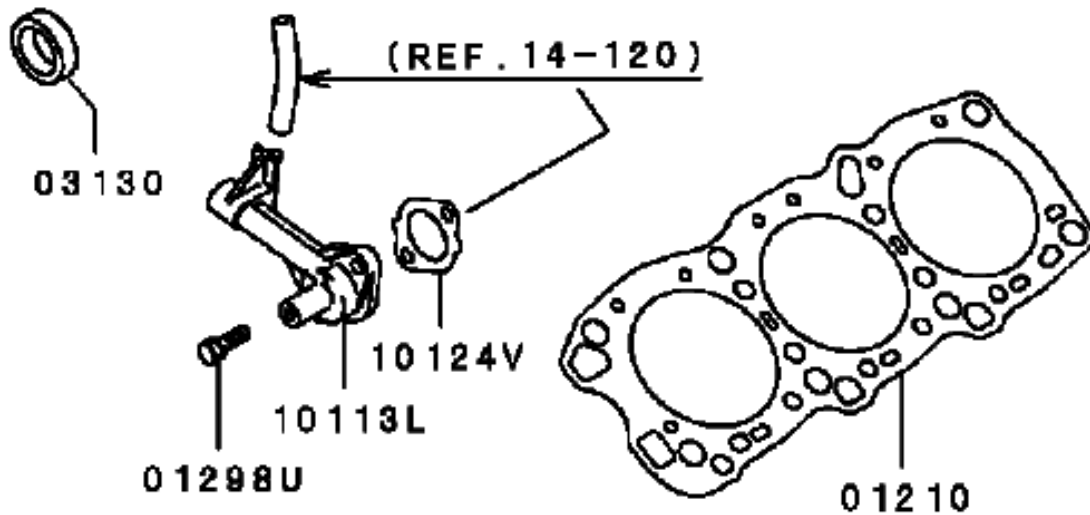
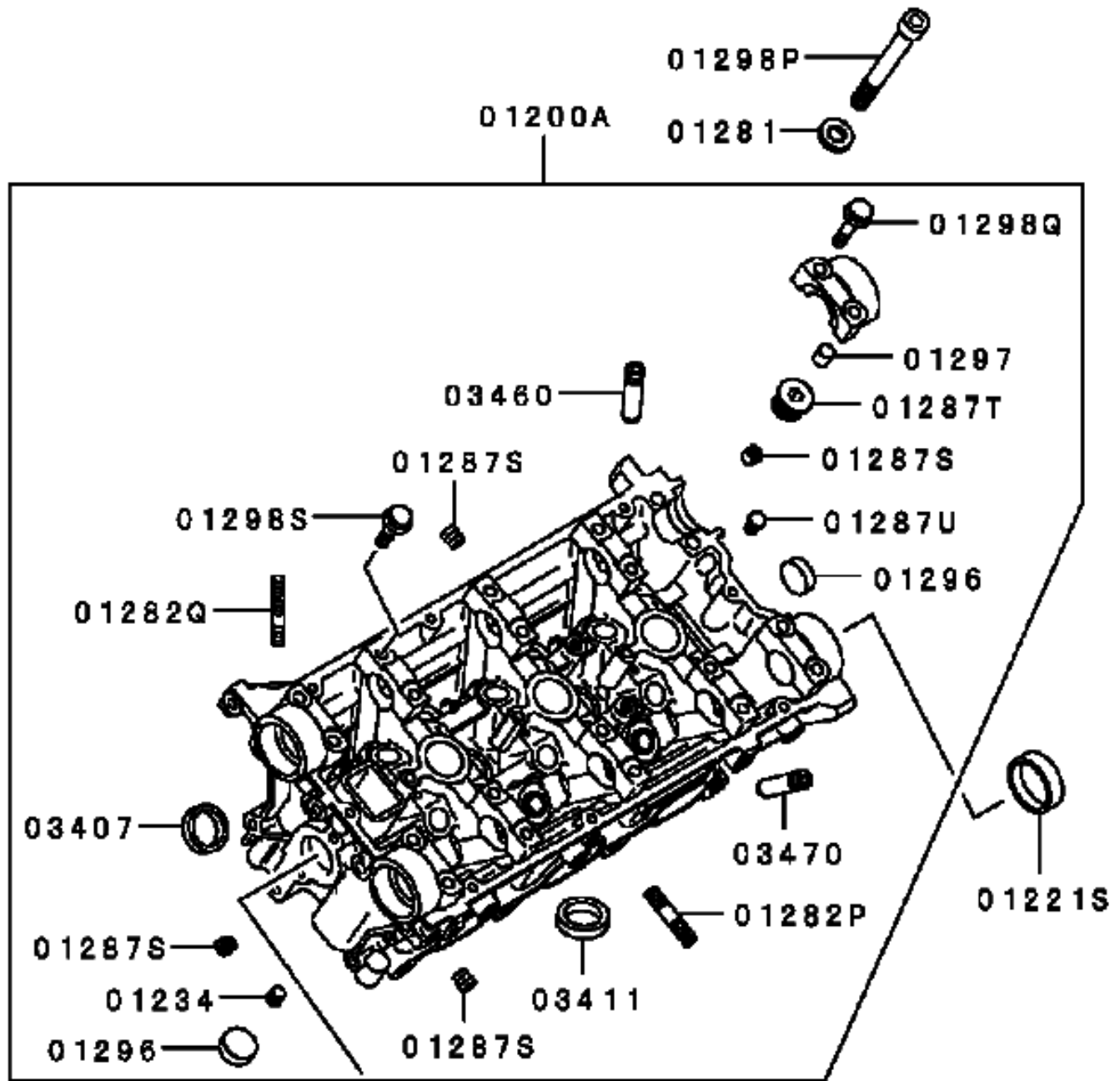
500097

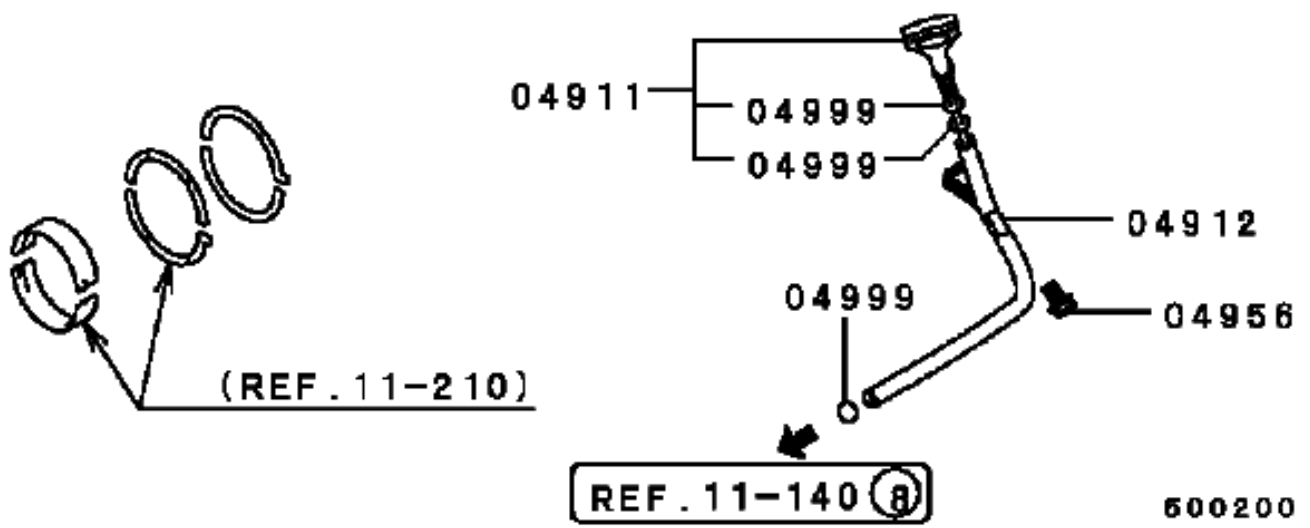
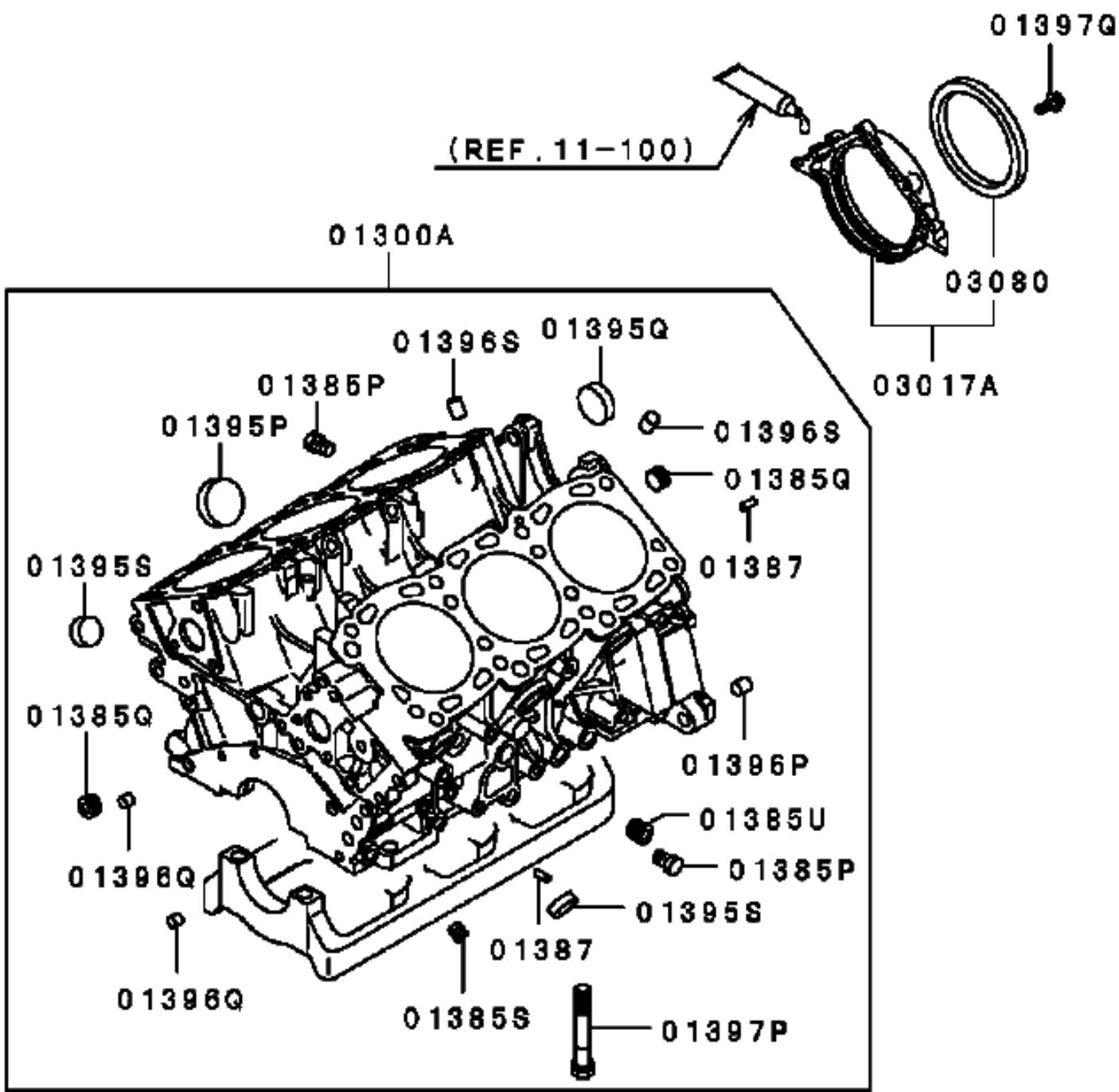


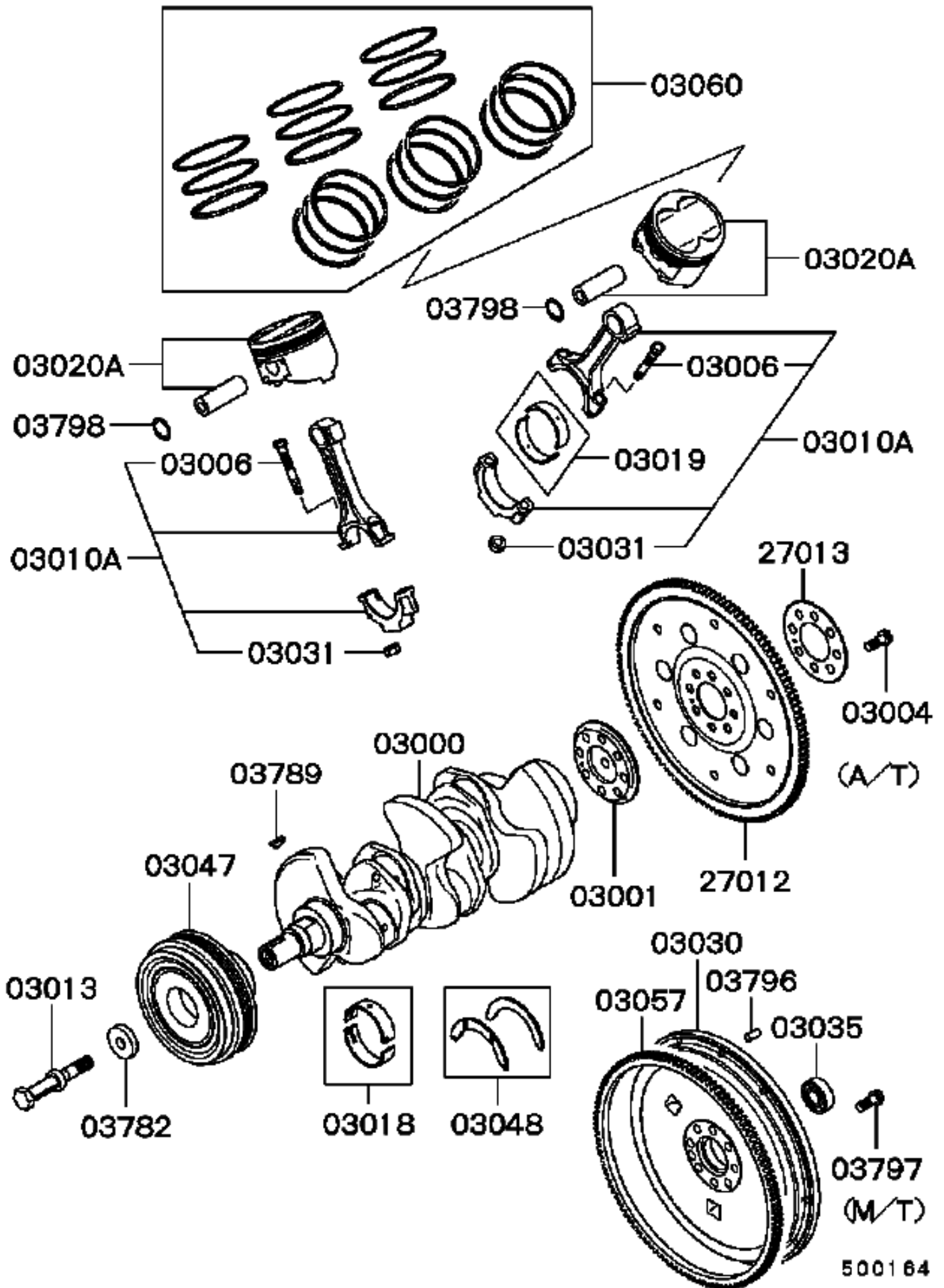












## &lt; LOWER OF CYLINDER BLOCK &gt;

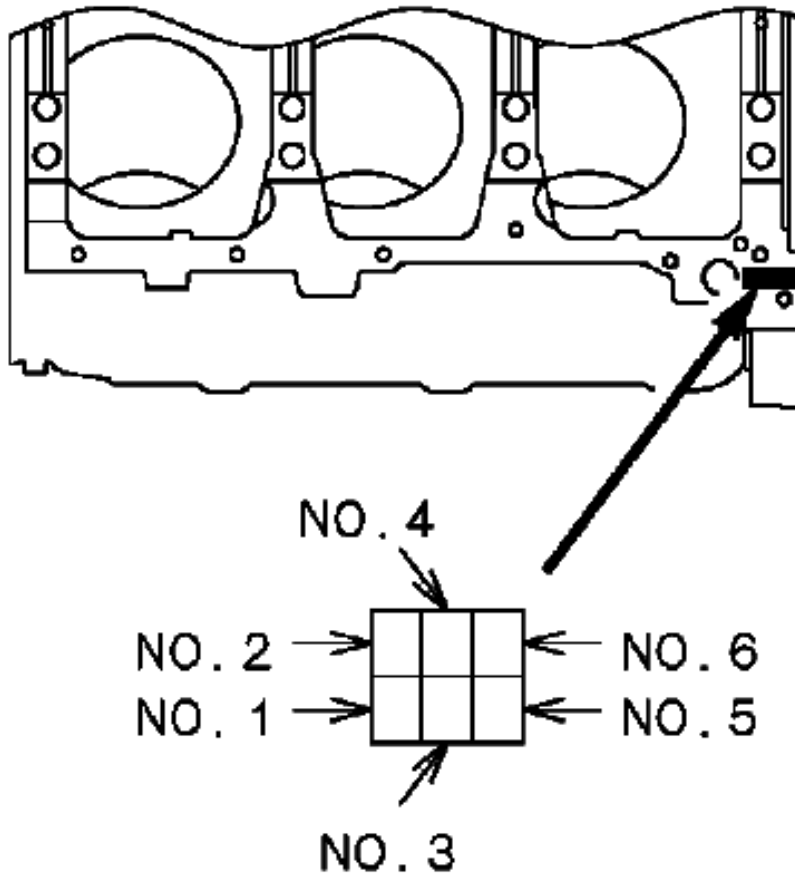


TABLE FOR CHOOSING

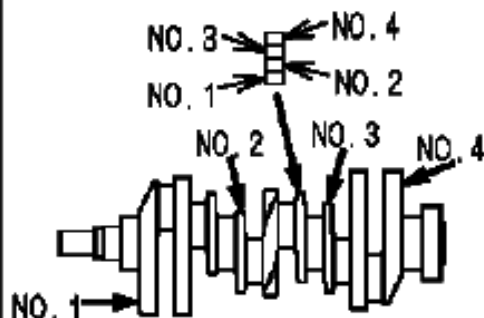
CYLINDER BORE SIZE MARK	STD PISTON
I	A
II	B
III	C

Note: Please refer to Service Manual  
about detail of selection criterion for them.

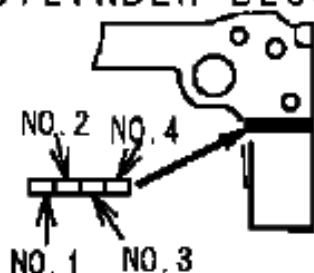
**CRANKSHAFT BEARING**  
(PNC:03018)

**<CRANKSHAFT BEARING>**

**<CRANKSHAFT>**



**<LOWER OF CYLINDER BLOCK>**



IDENT COLOR  IDENT MARK

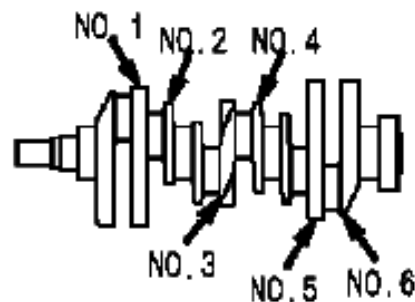
**TABLE FOR CHOOSING**

CRANKSHAFT		CYLINDER BLOCK	EXC. 6G76 (NO. 2 NO. 3) BEARING	6G75 (NO. 2 NO. 3) BEARING		
IDENT COLOR	IDENT MARK	IDENT MARK	IDENT COLOR	IDENT MARK	IDENT COLOR	IDENT MARK
YELLOW	O	a (I)	PINK	1 (I)	BLUE	0 (O)
		b (II)	RED	2 (II)	PINK	1 (I)
		c (III)	GREEN	3 (III)	RED	2 (II)
NONE	I	a (I)	RED	2 (II)	PINK	1 (I)
		b (II)	GREEN	3 (III)	RED	2 (II)
		c (III)	BLACK	4 (IV)	GREEN	3 (III)
WHITE	II	a (I)	GREEN	3 (III)	RED	2 (II)
		b (II)	BLACK	4 (IV)	GREEN	3 (III)
		c (III)	BROWN	5 (V)	BLACK	4 (IV)
BLUE	III	a (I)	BLACK	4 (IV)	—	—
		b (II)	BROWN	5 (V)	—	—
		c (III)	NONE	6 (VI)	—	—

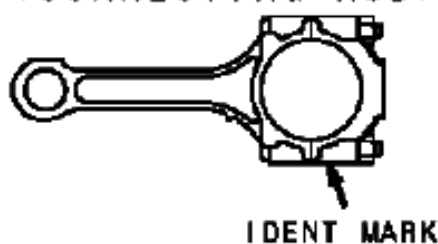
**CONNROD BEARING**  
(PNC:03019)

**<CONNROD BEARING>**

**<CRANKSHAFT>**



**<CONNECTING ROD>**



IDENT COLOR  IDENT MARK

**TABLE FOR CHOOSING**

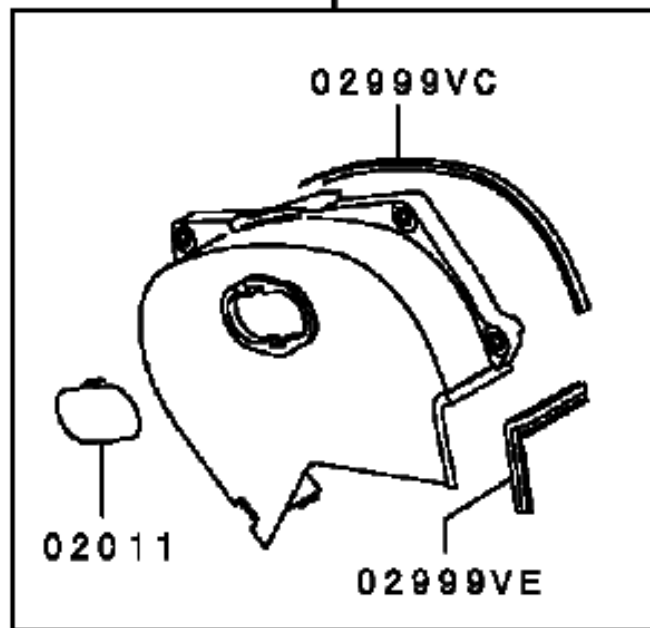
CRANKSHAFT		CONNROD	BEARING	
IDENT COLOR	IDENT MARK	IDENT MARK	IDENT COLOR	IDENT MARK
YELLOW	I	0	PINK	I
		1	RED	II
		2	GREEN	III
NONE	II	0	RED	II
		1	GREEN	III
		2	BLACK	IV
WHITE	III	0	GREEN	III
		1	BLACK	IV
		2	BROWN	V

Note: Please refer to Service Manual

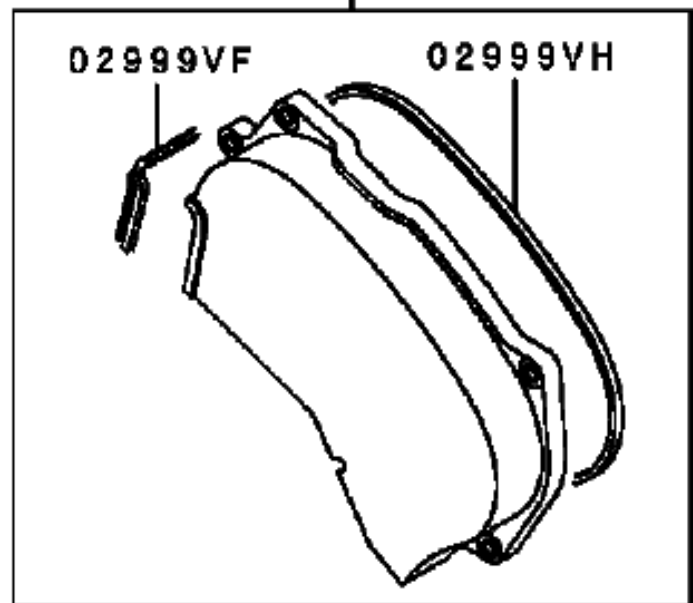
about detail of selection criterion for them.

FO0026

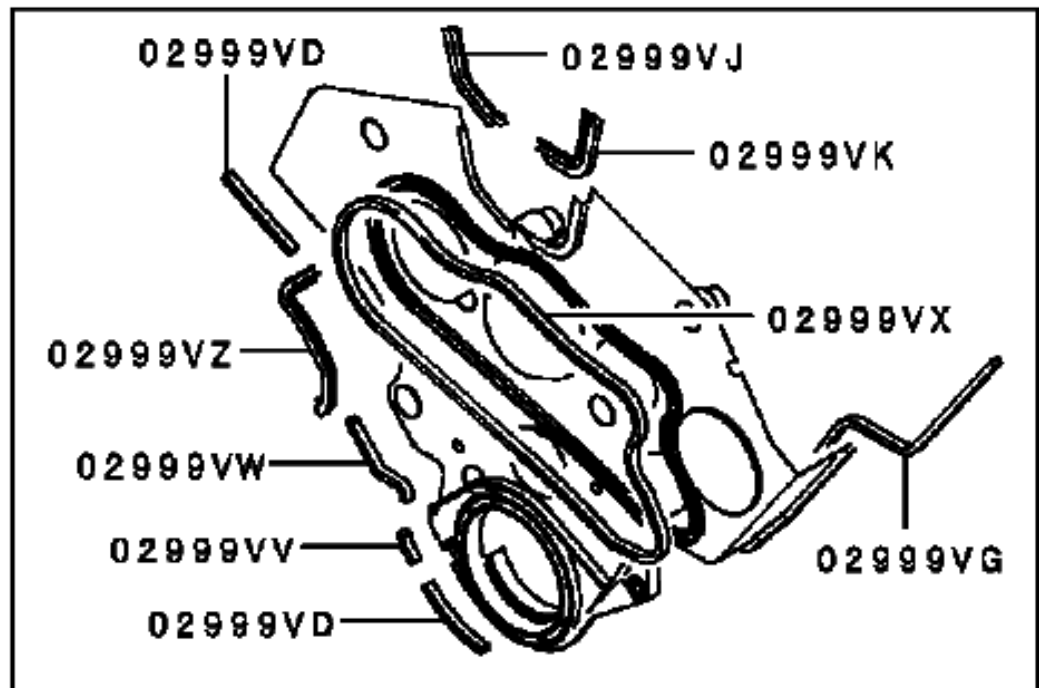
02007VP



02007VQ



(REF.  
14-110)

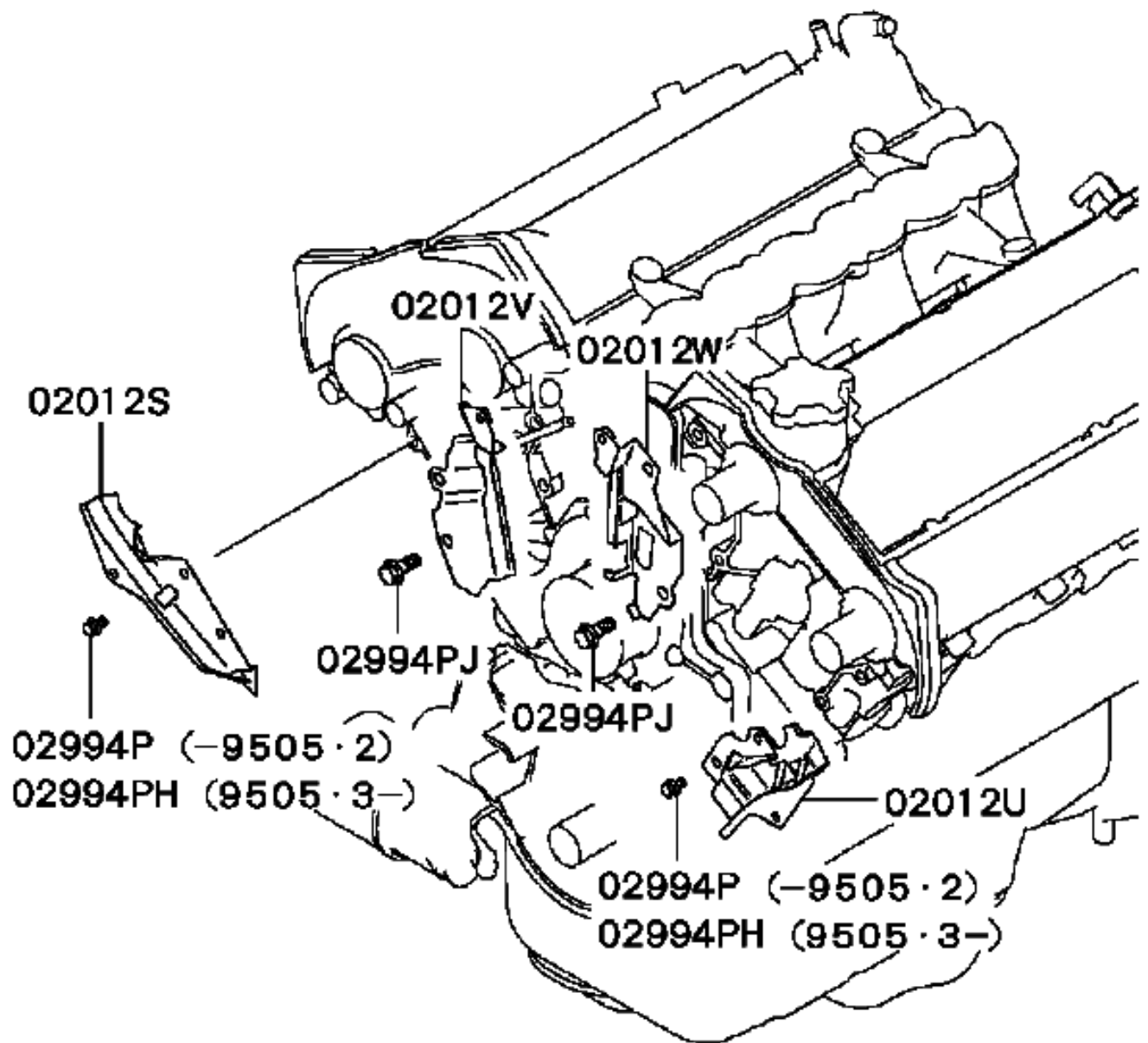


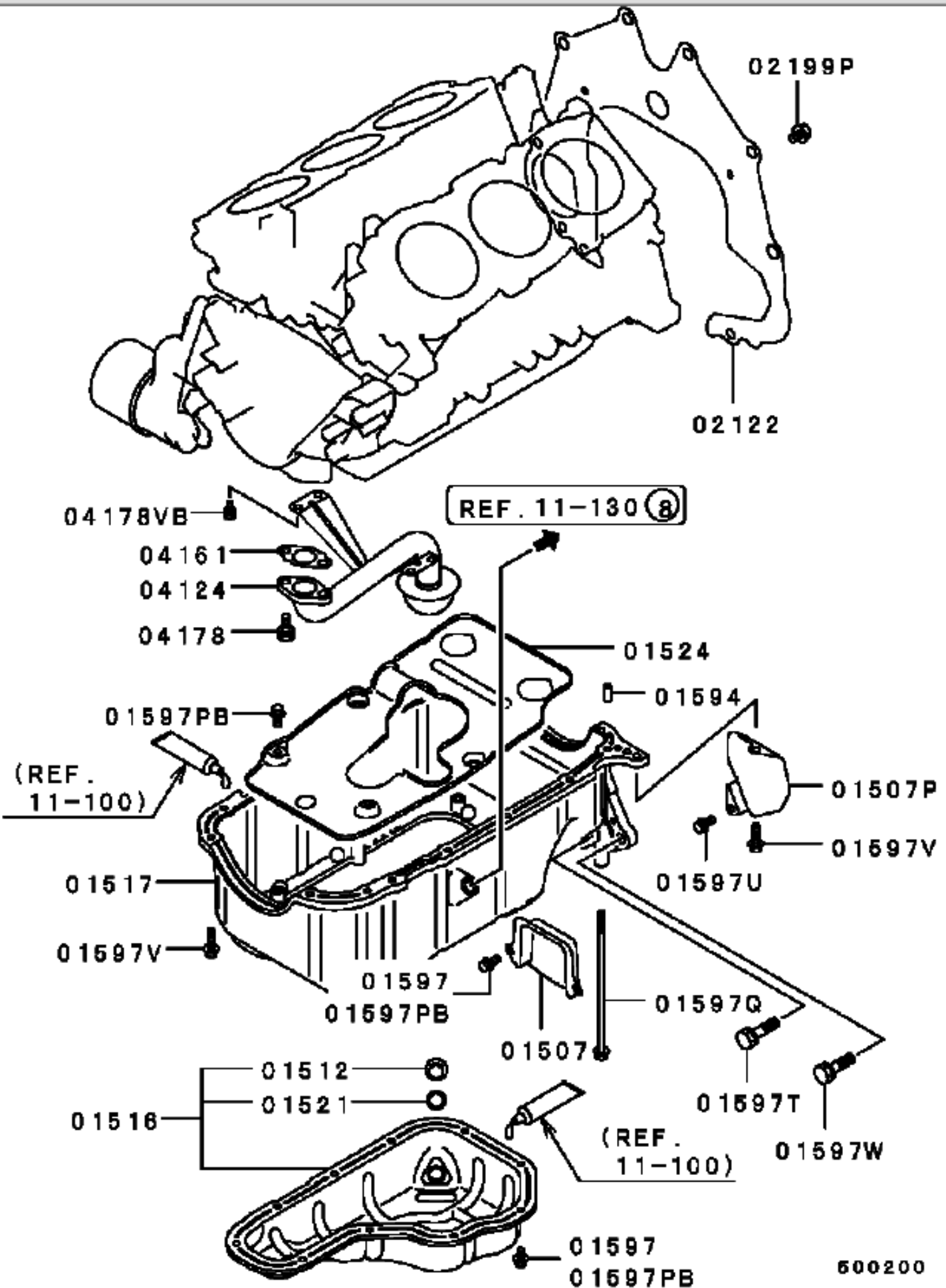
02007G

02994P

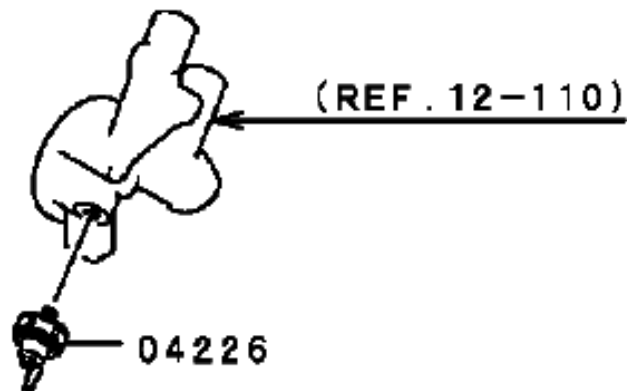
02994Q

02018

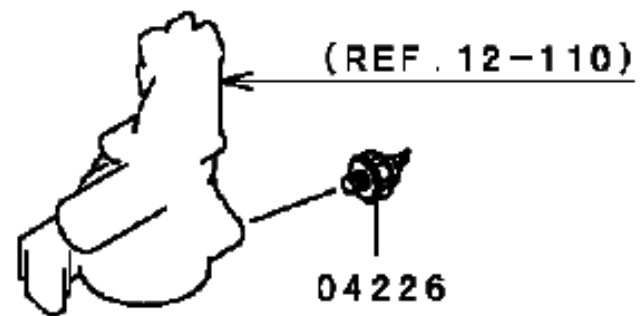




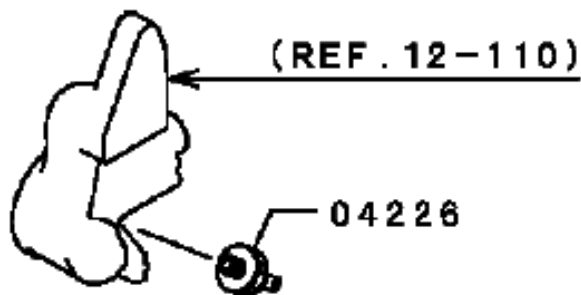
(-9405-3..6G72)



(9406-1-..6G72)  
(6G74..SOHC)



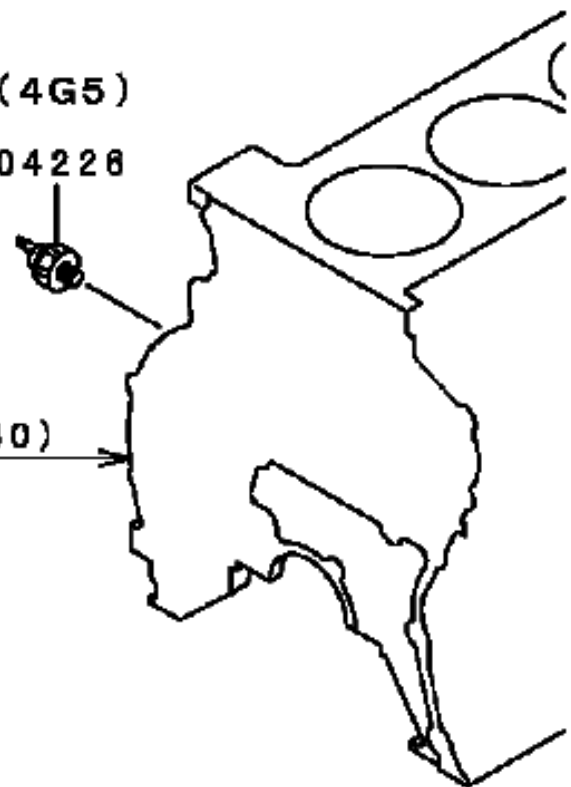
(6G74..DOHC)



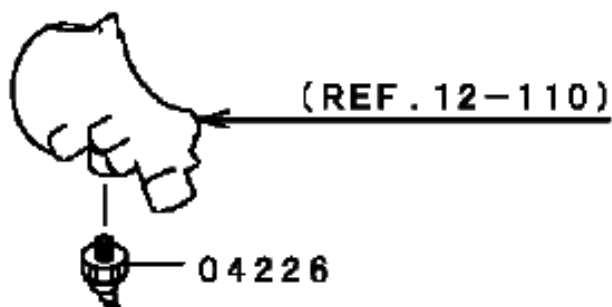
(4G5)

04226

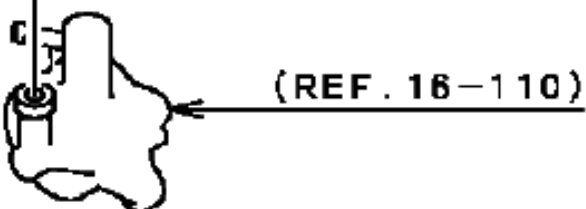
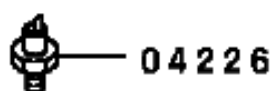
(REF. 11-130)



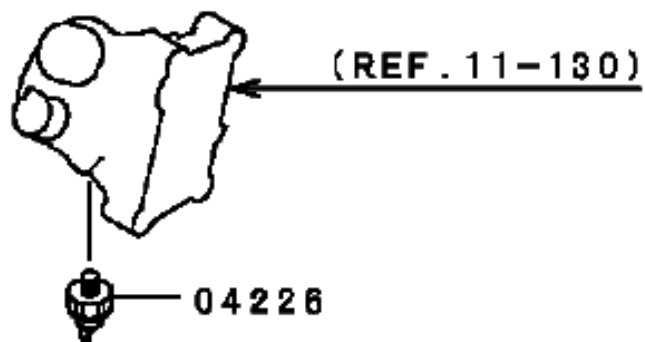
(4G6)

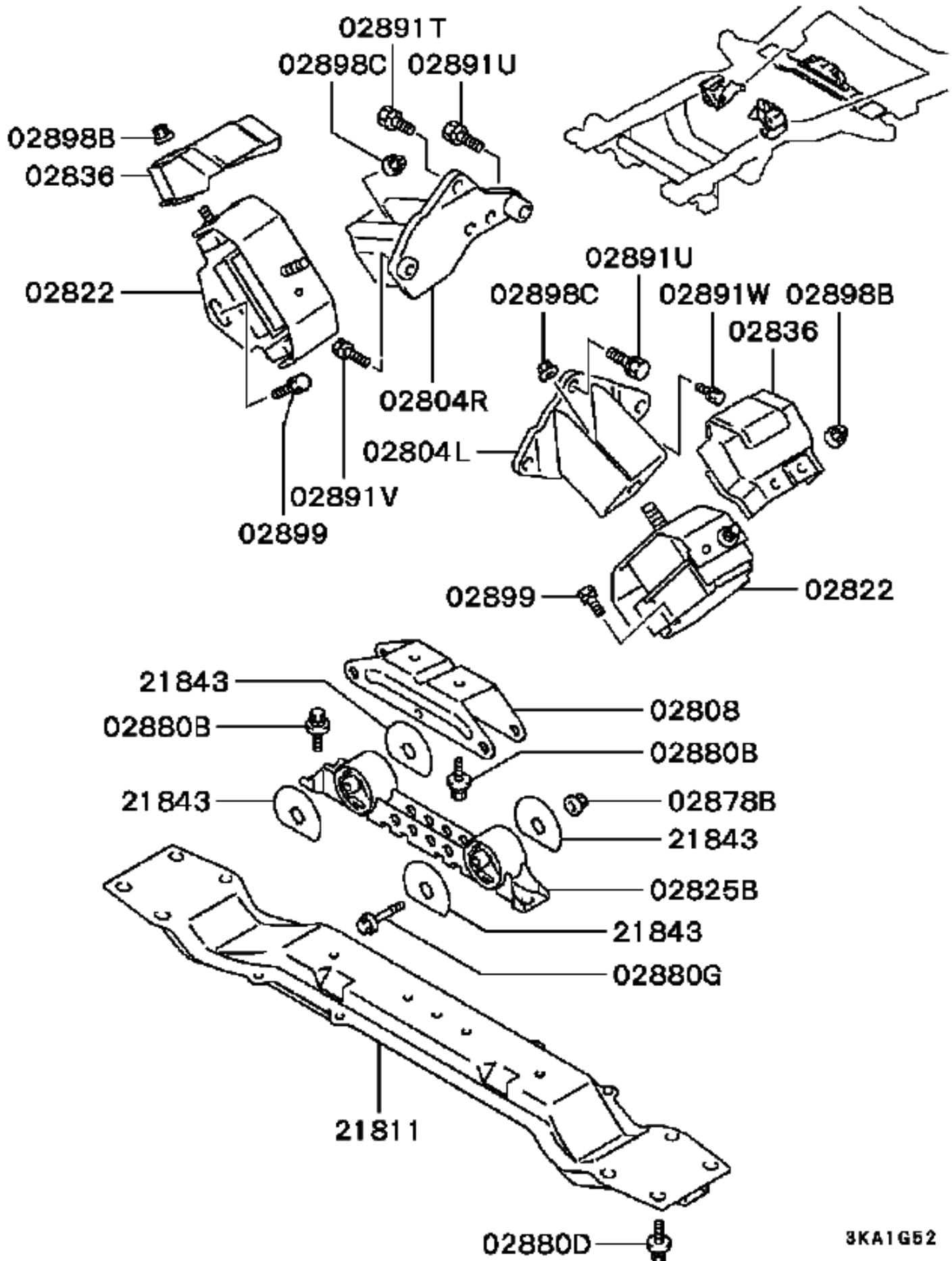


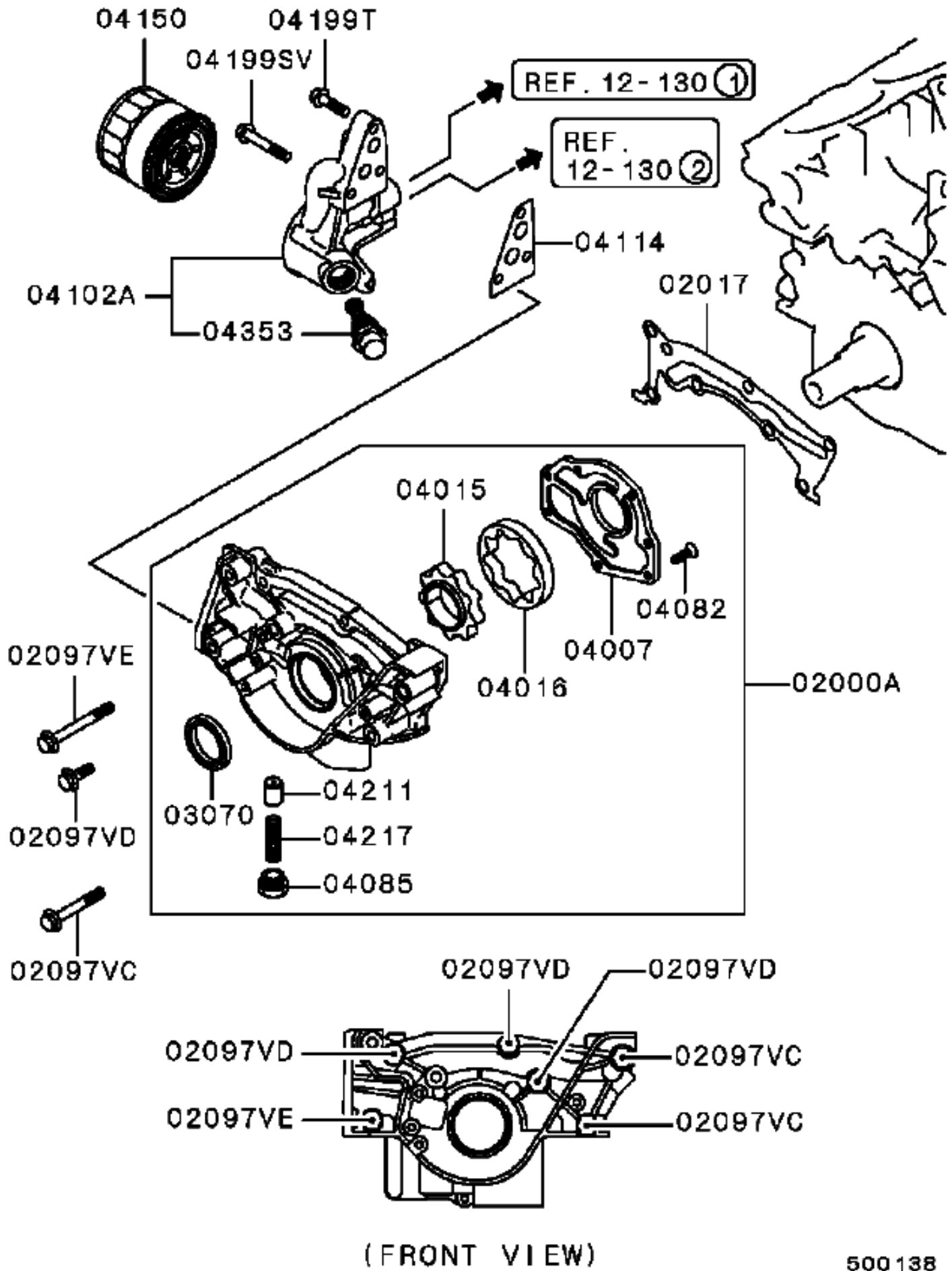
(4M4)

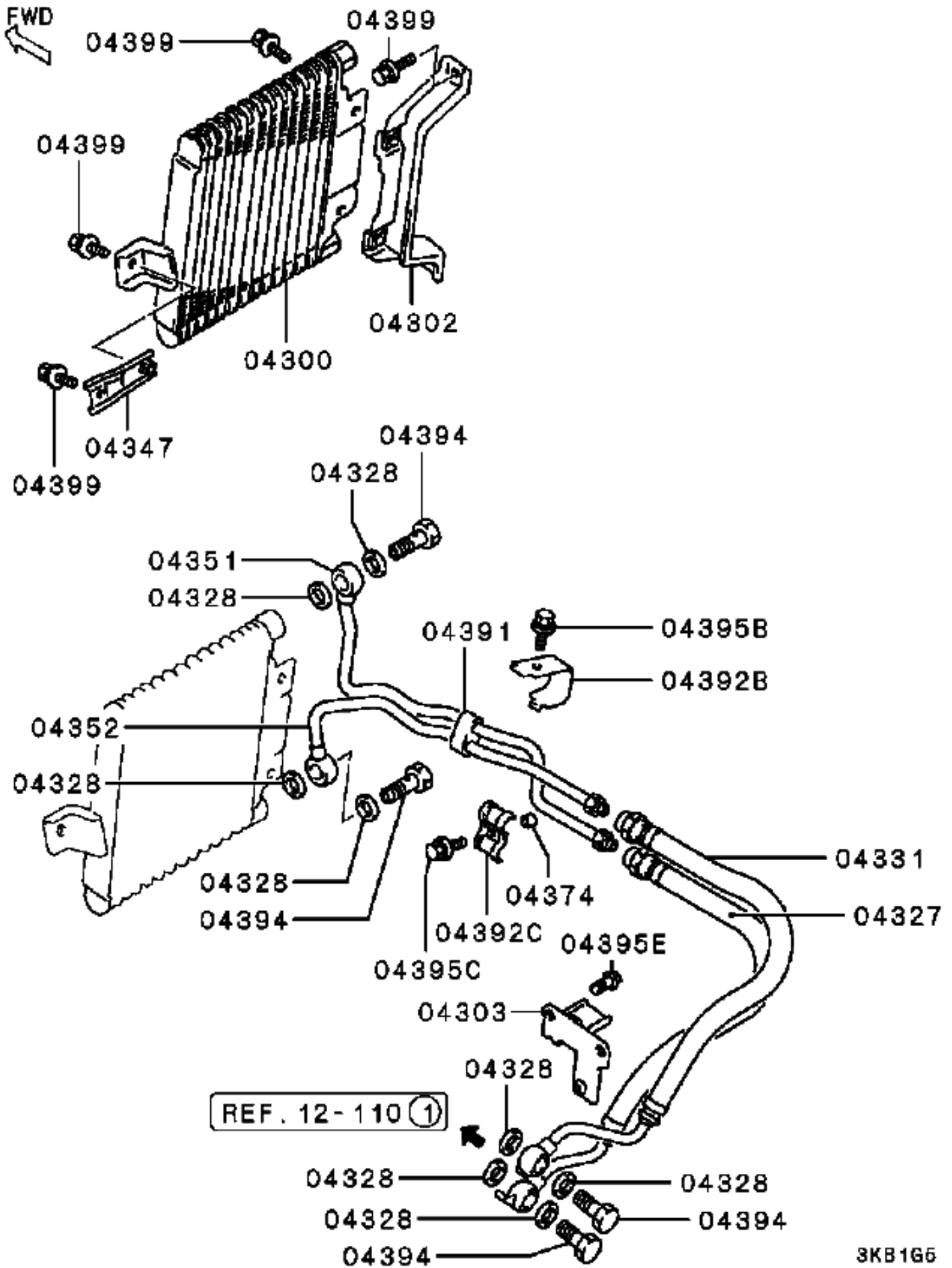


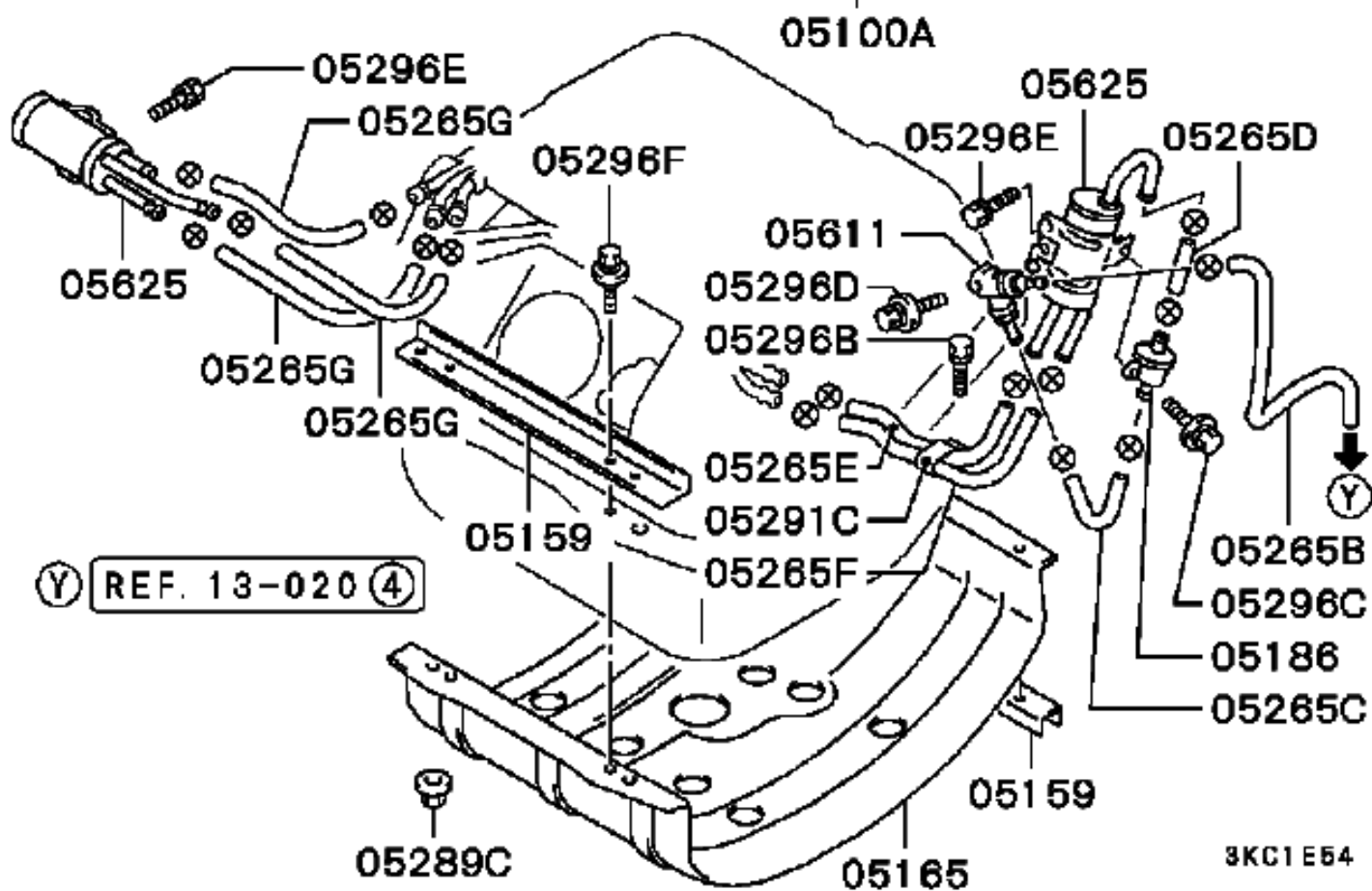
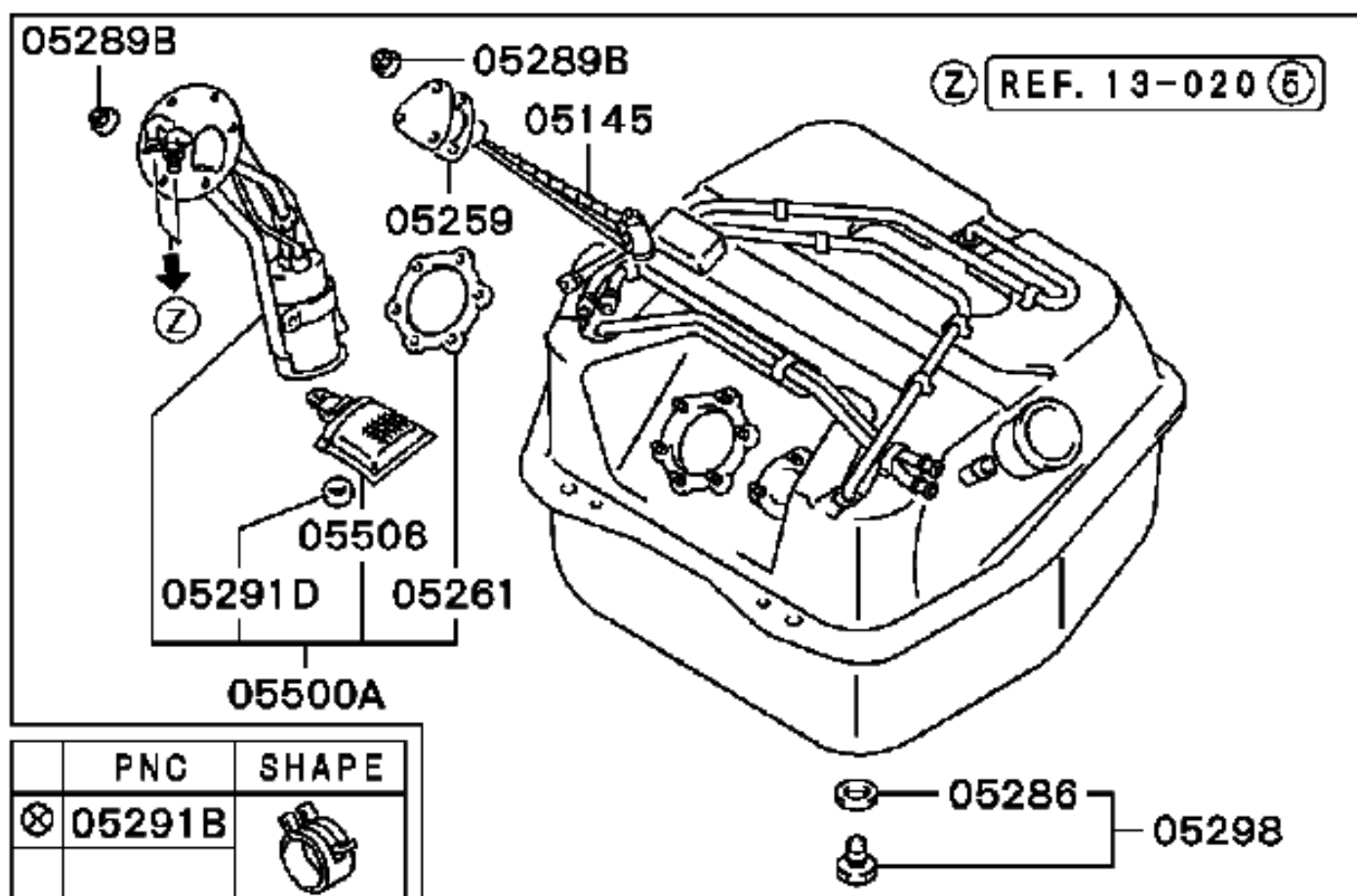
(4D5)

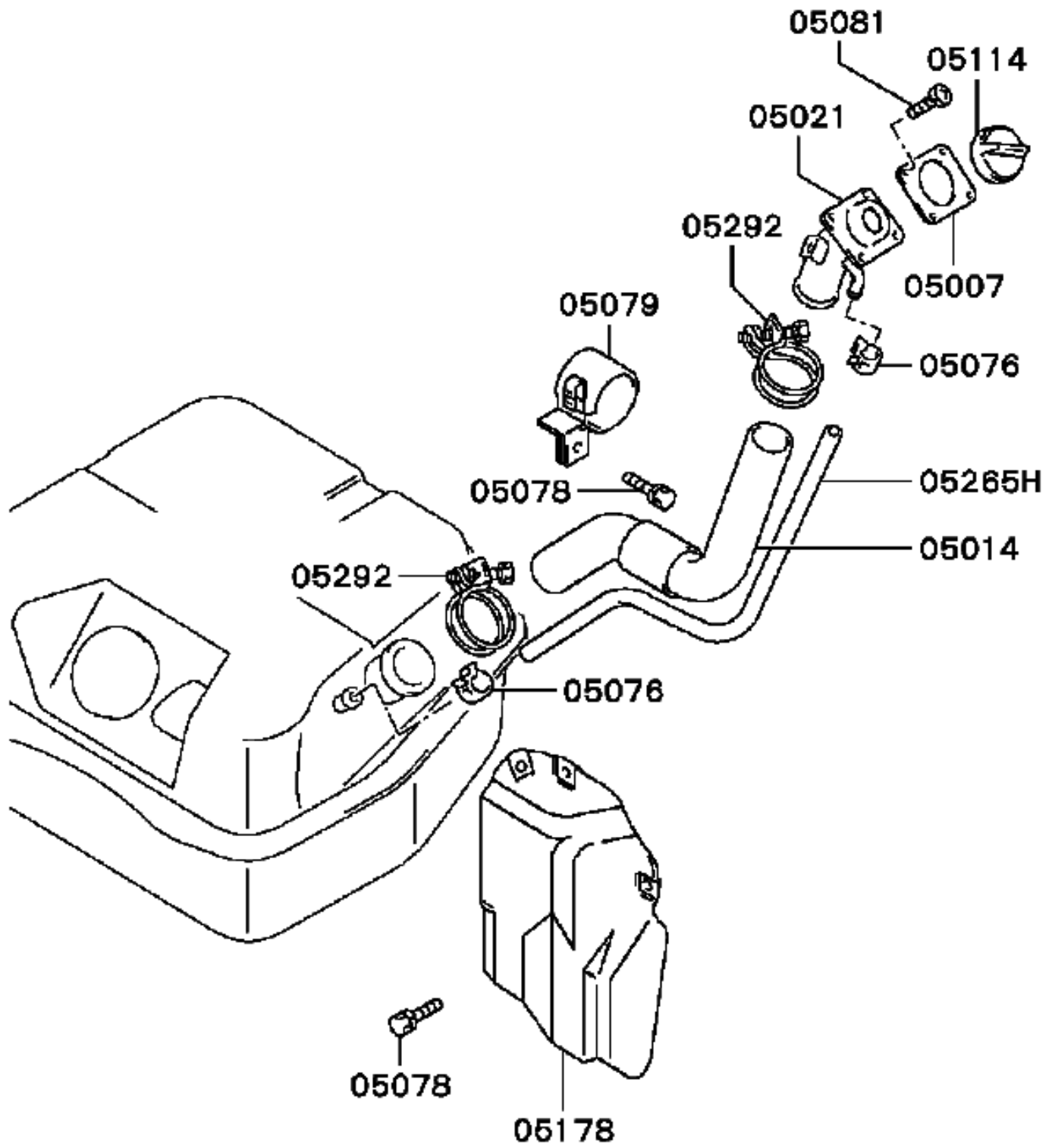


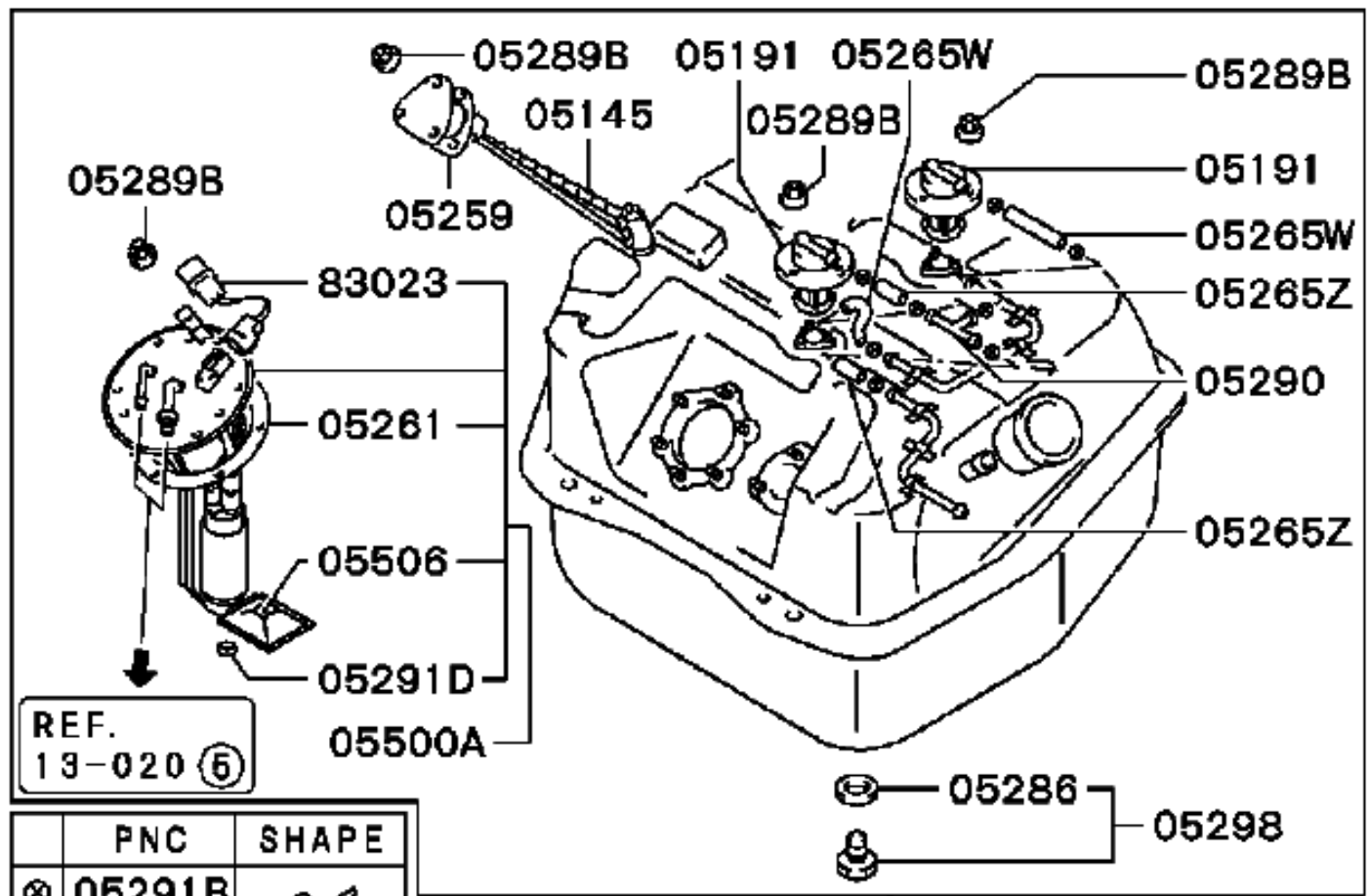







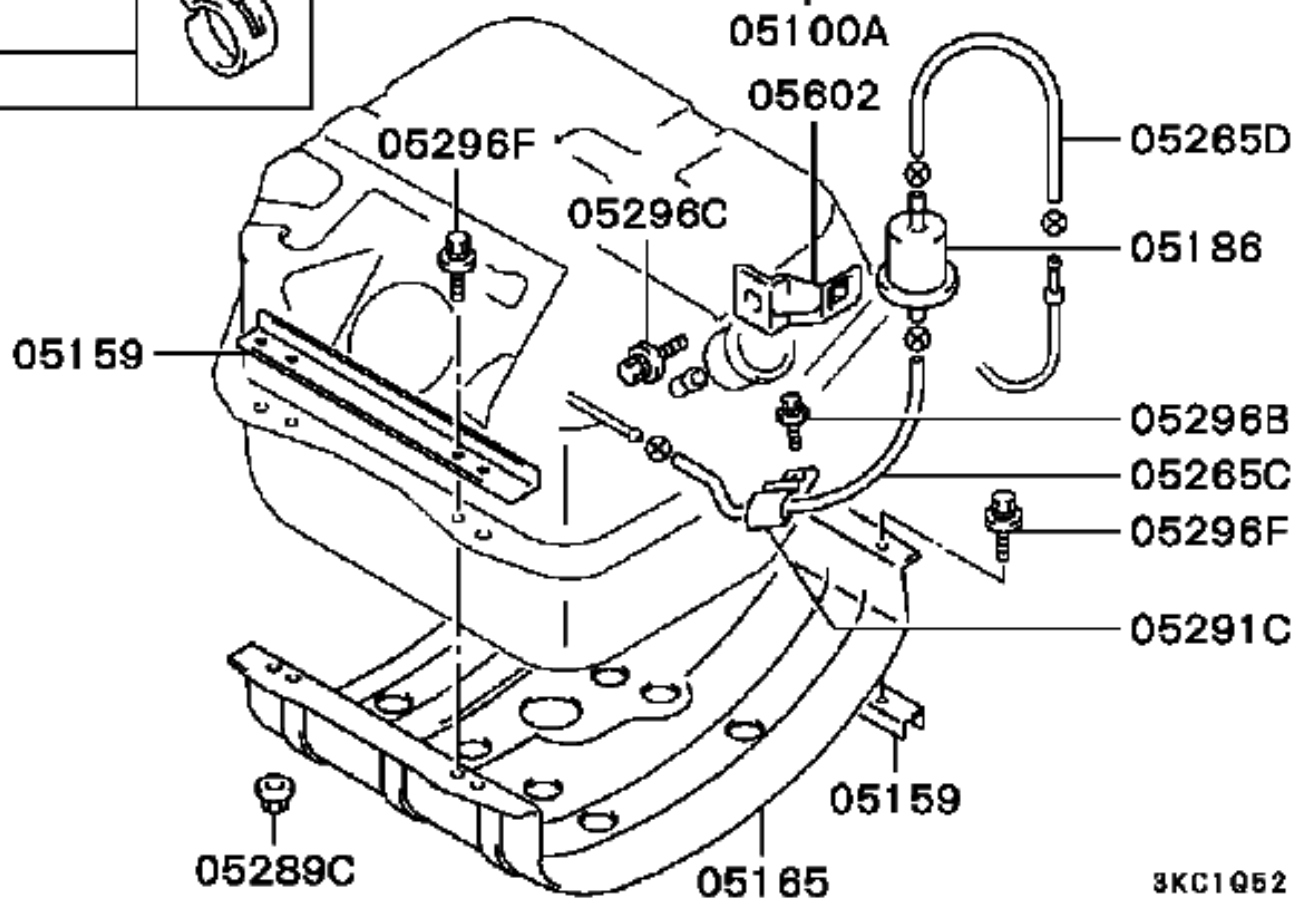


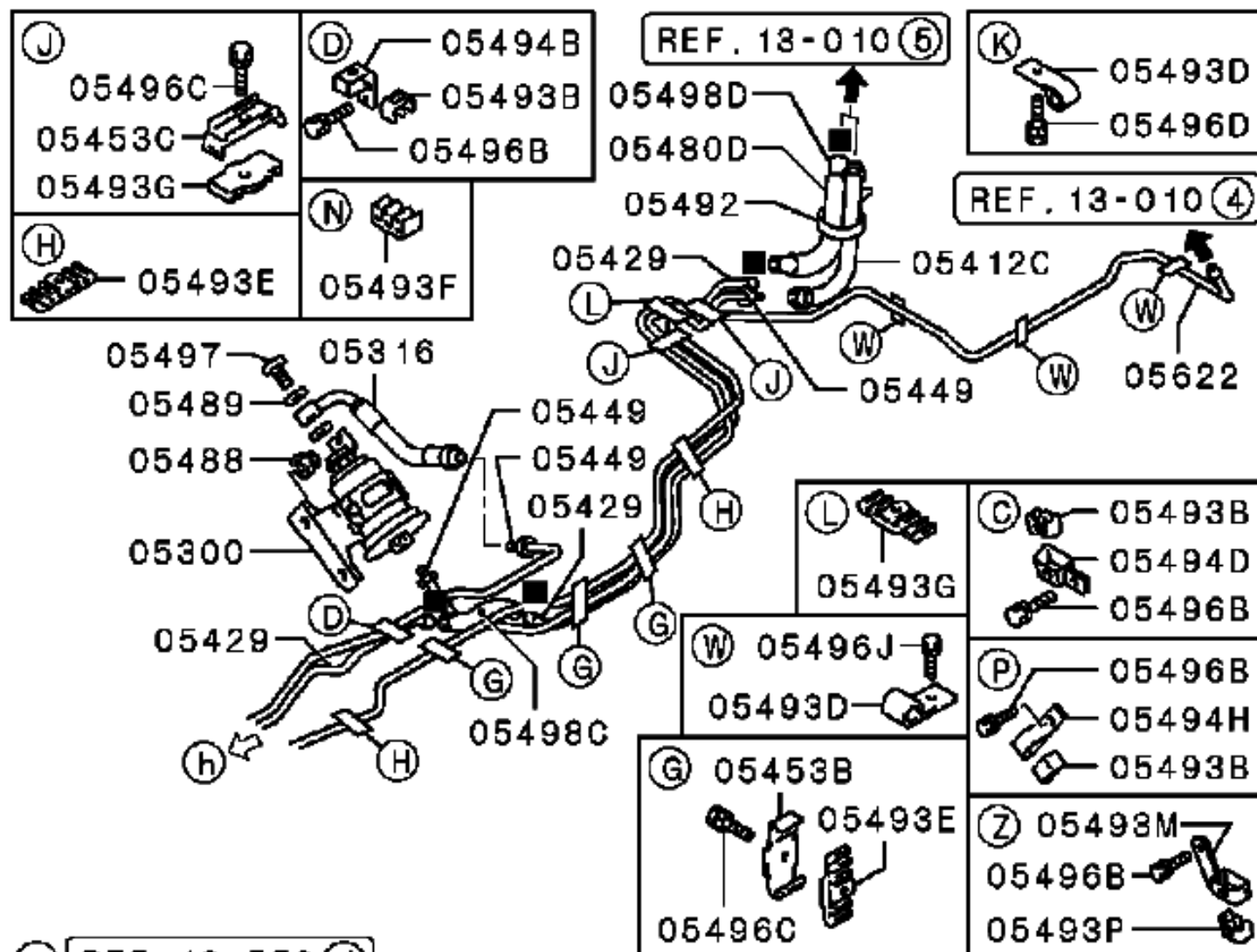




REF.  
13-020 ⑥

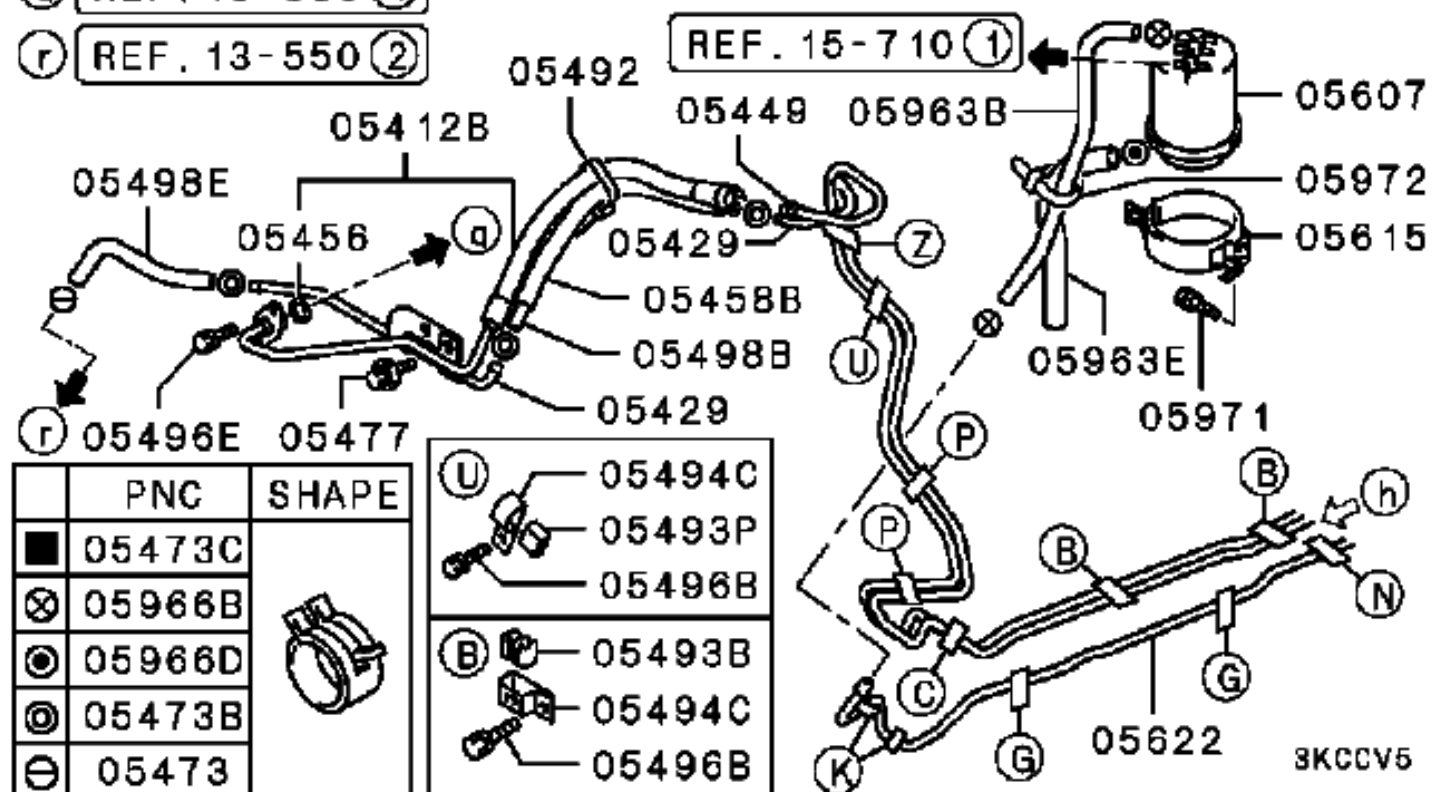
	PNC	SHAPE
⊗	05291B	



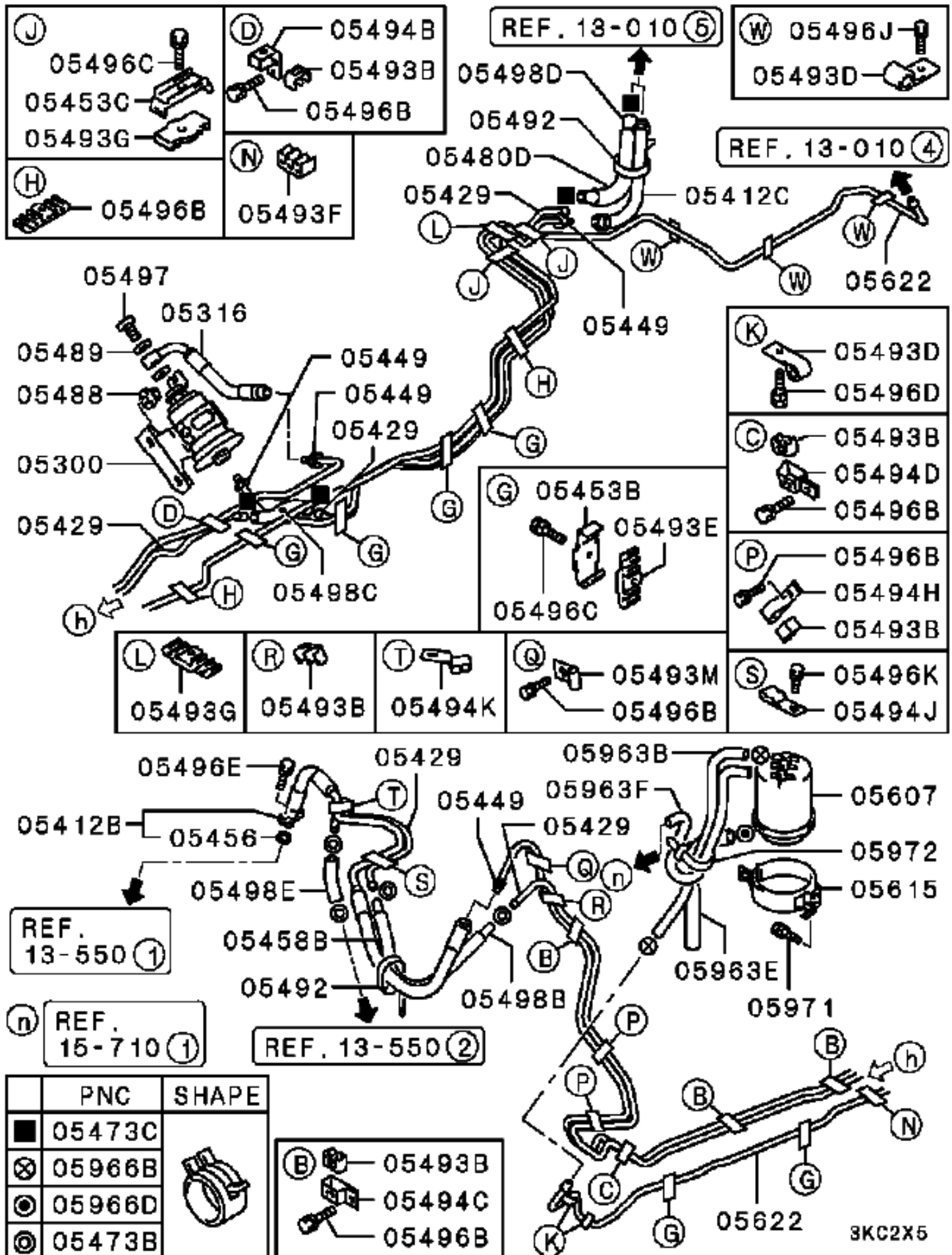


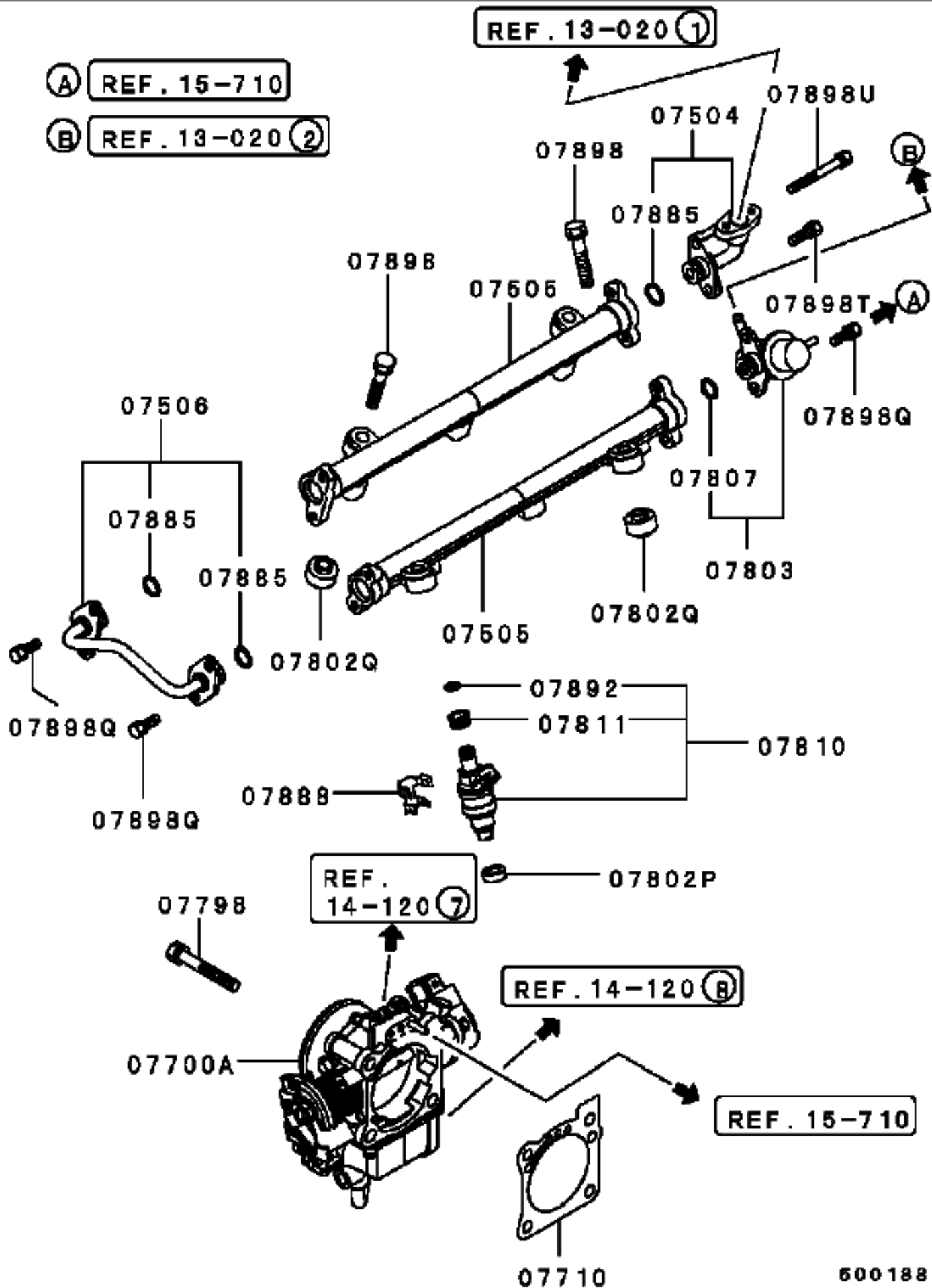
q REF. 13-550 (1)

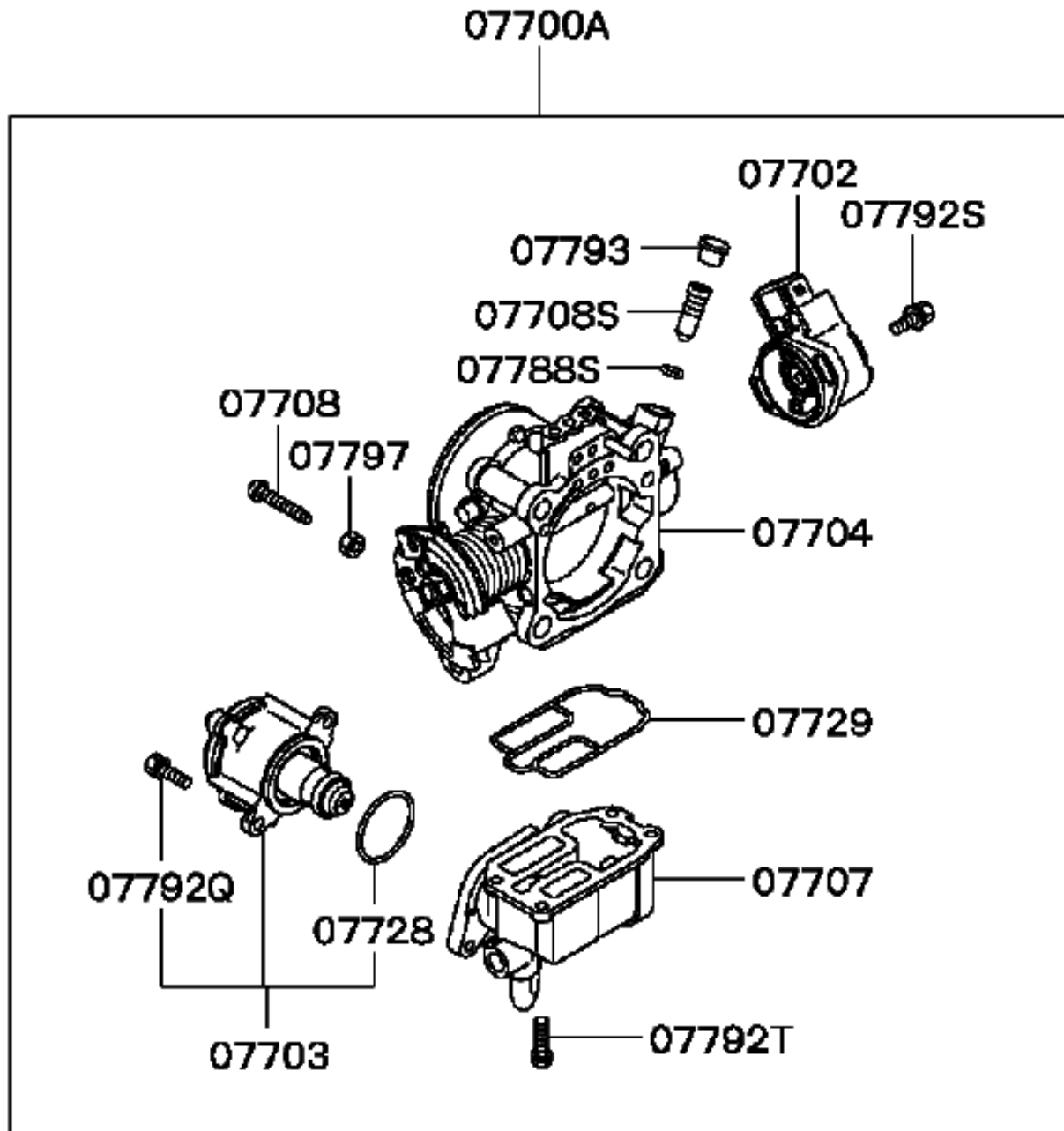
r REF. 13-550 (2)

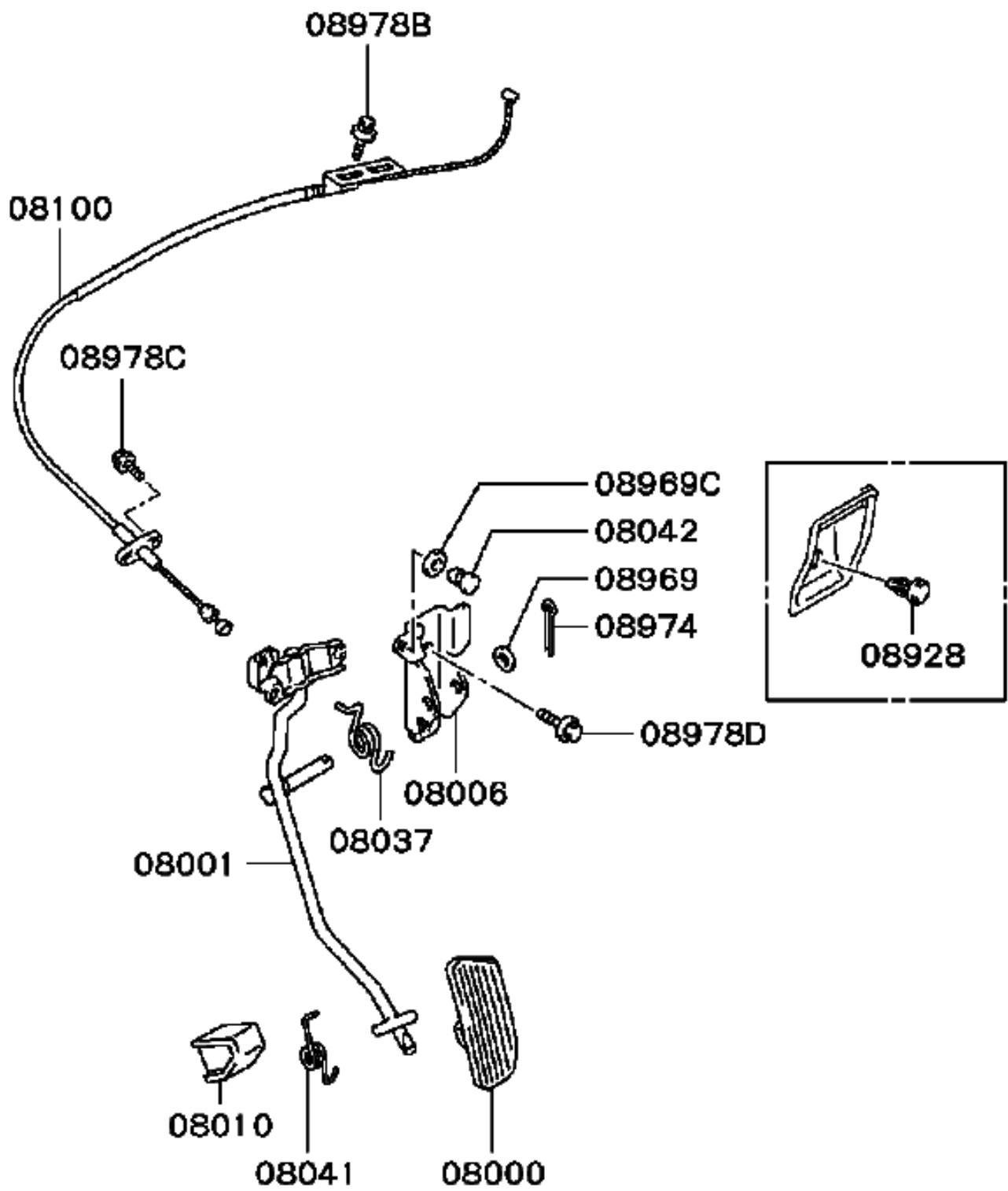


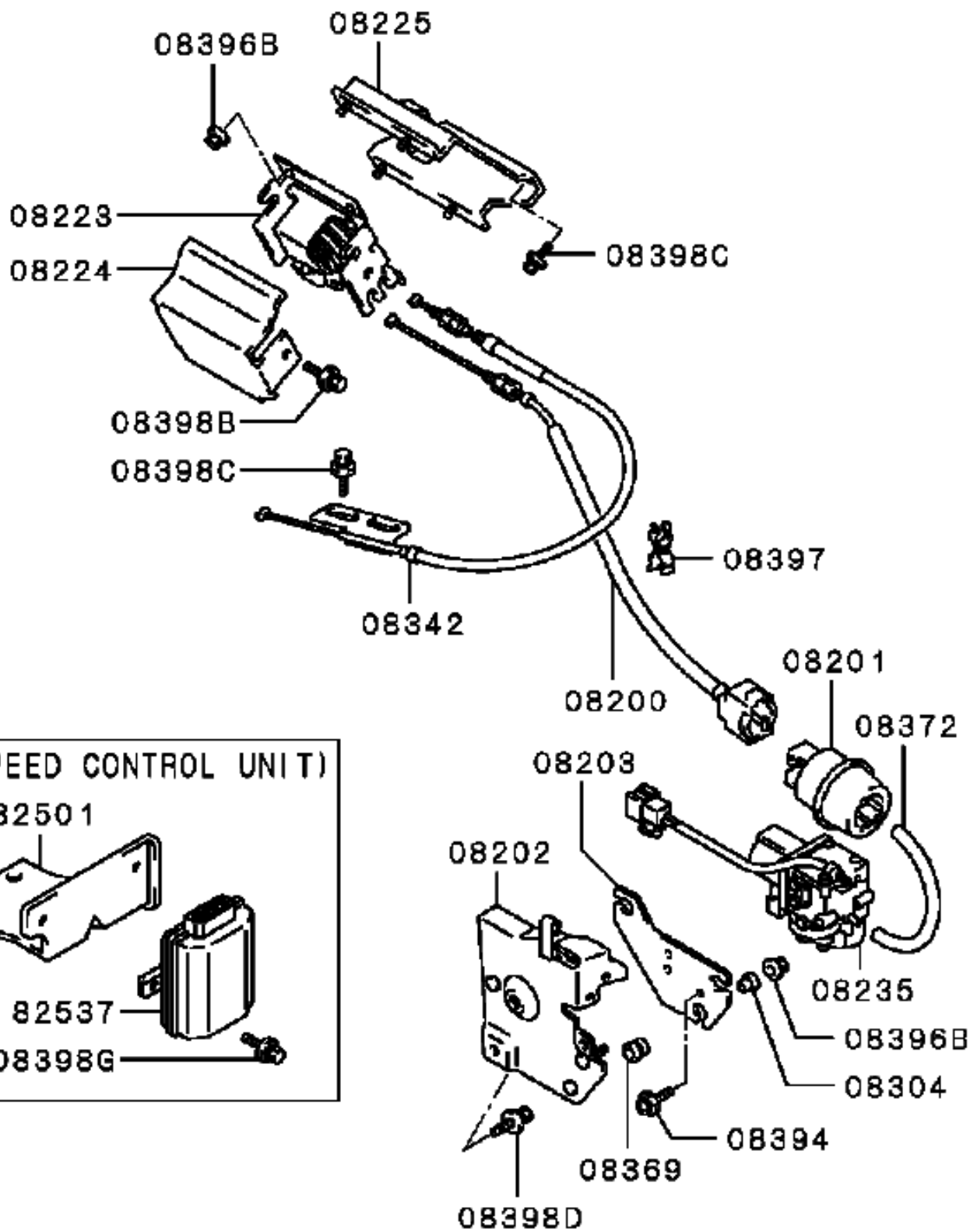
	PNC	SHAPE
■	05473C	
⊗	05966B	
⊙	05966D	
⊕	05473B	
⊖	05473	

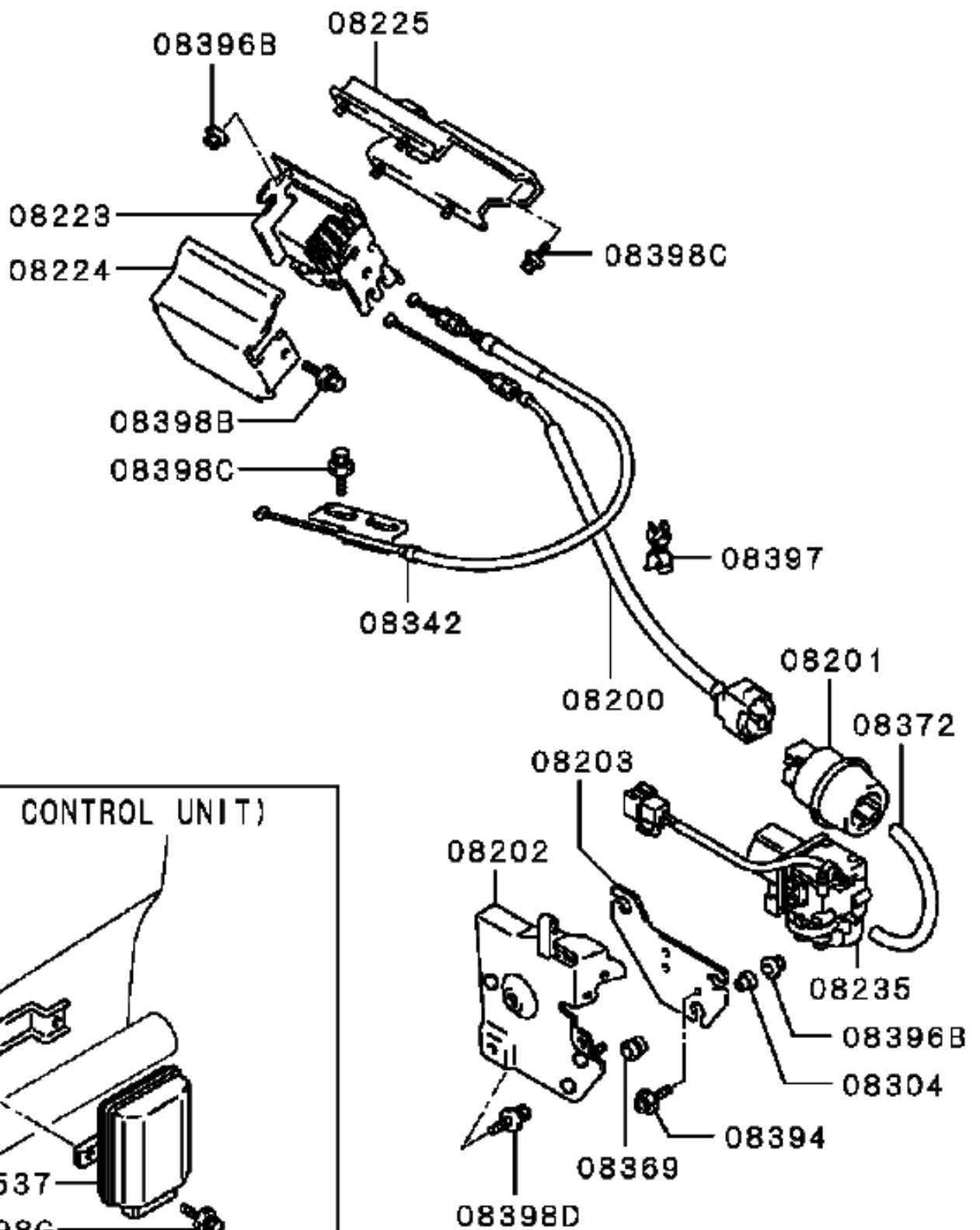


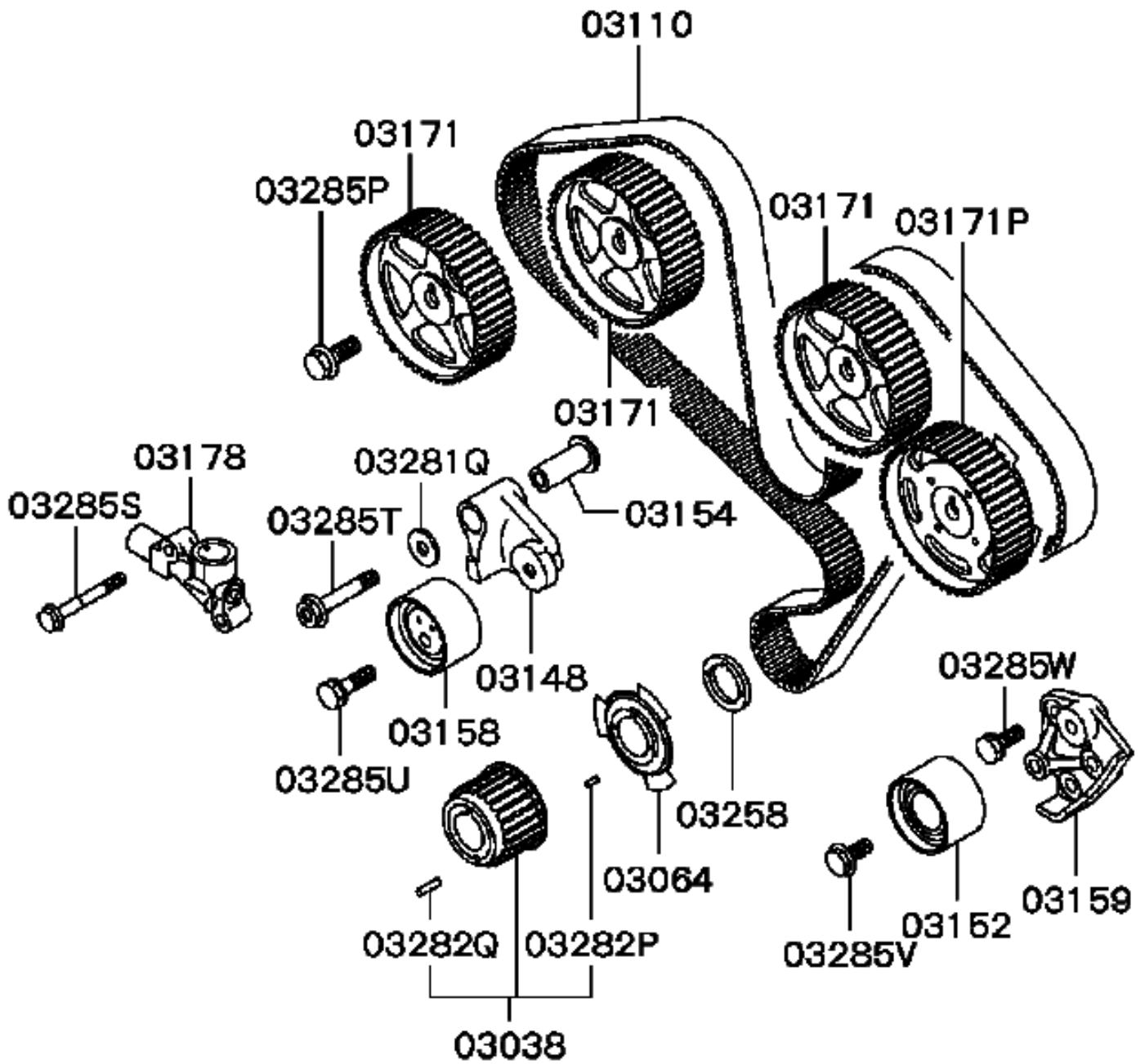


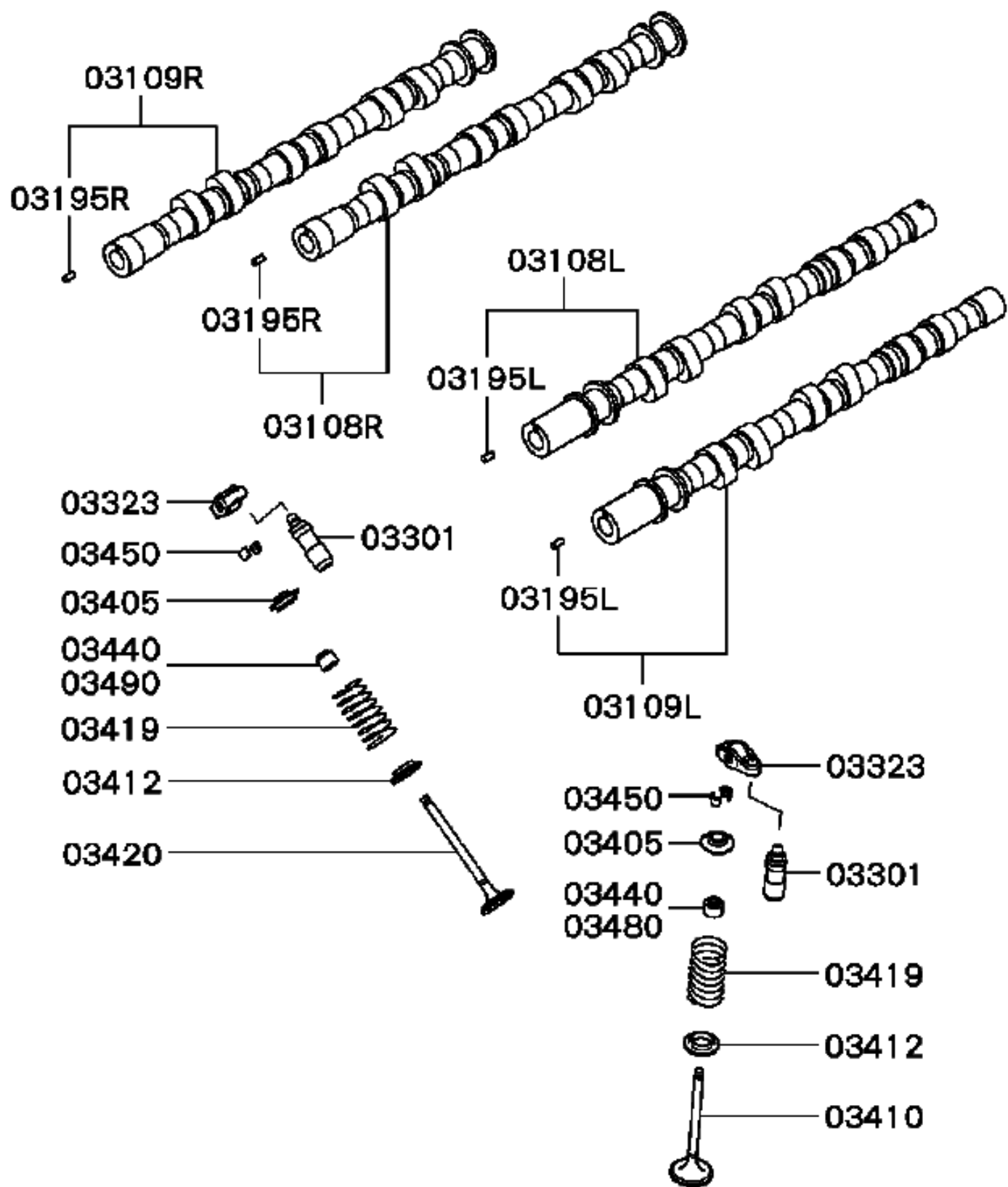


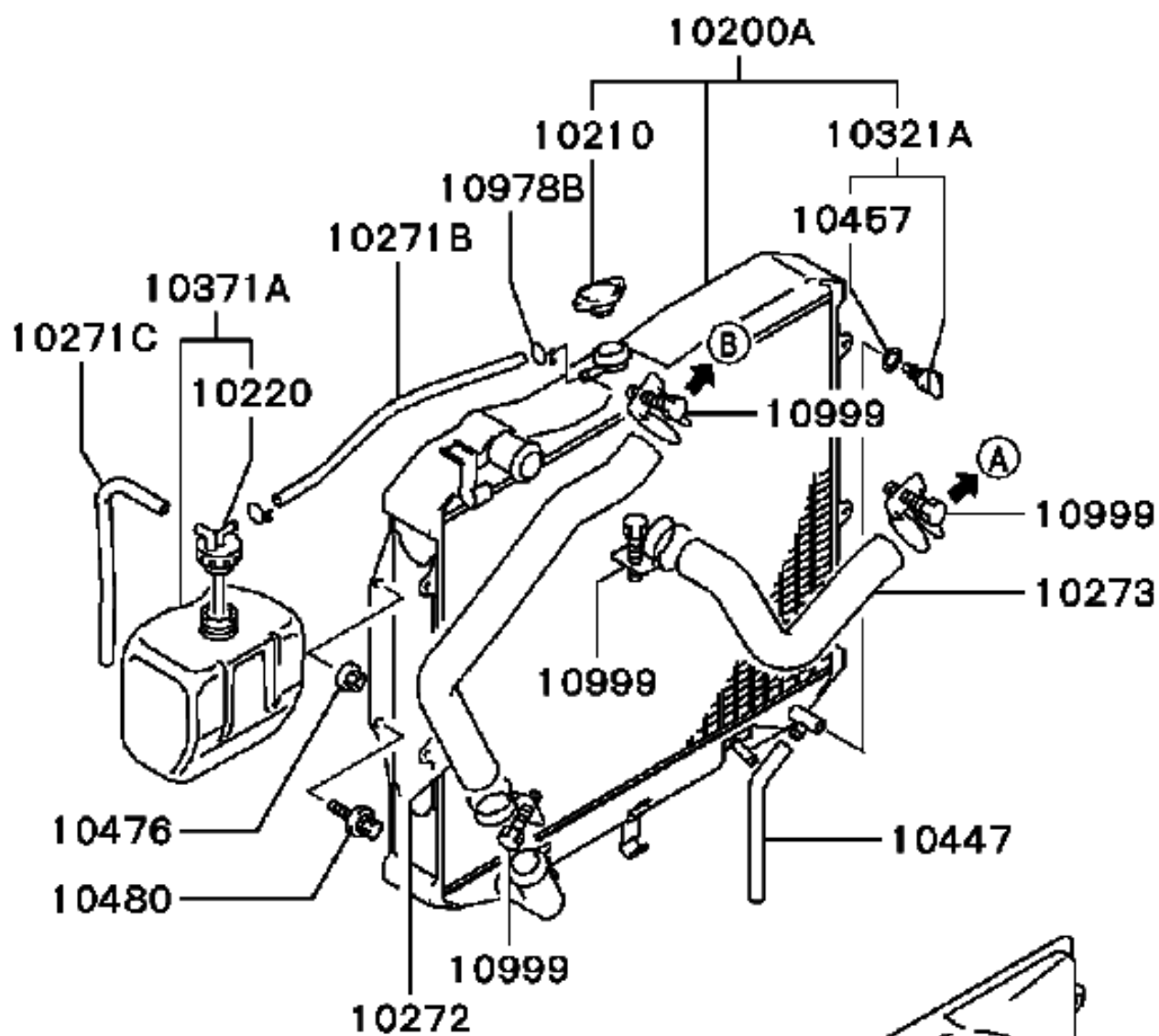






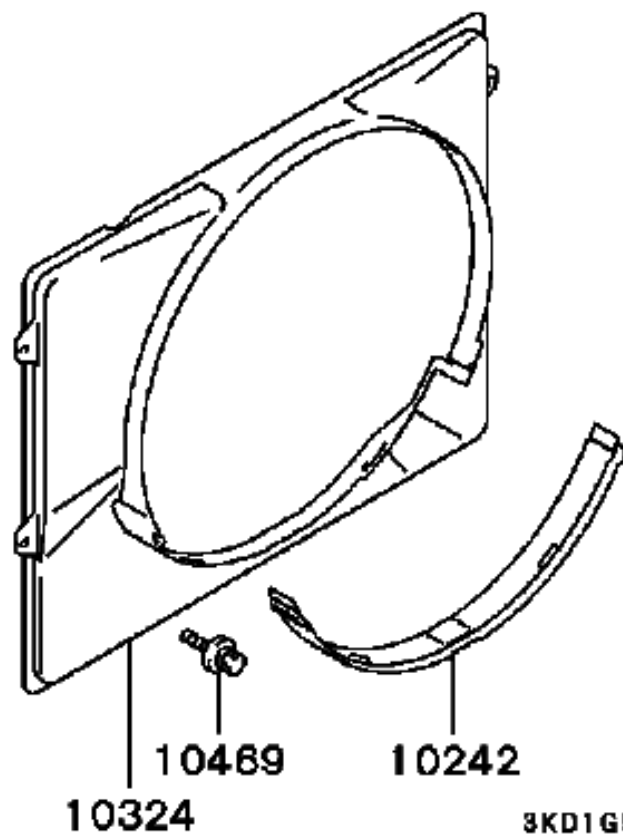


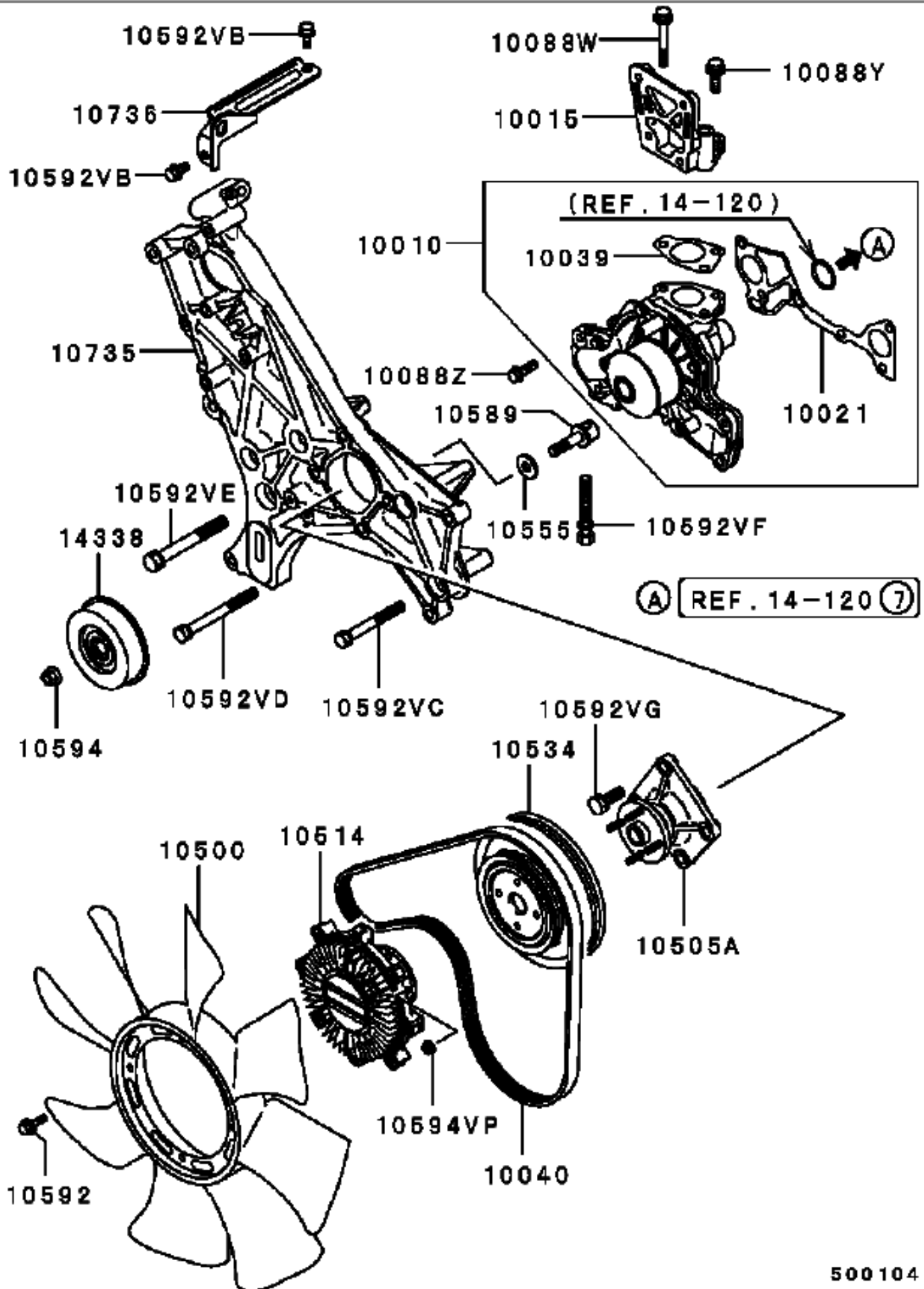




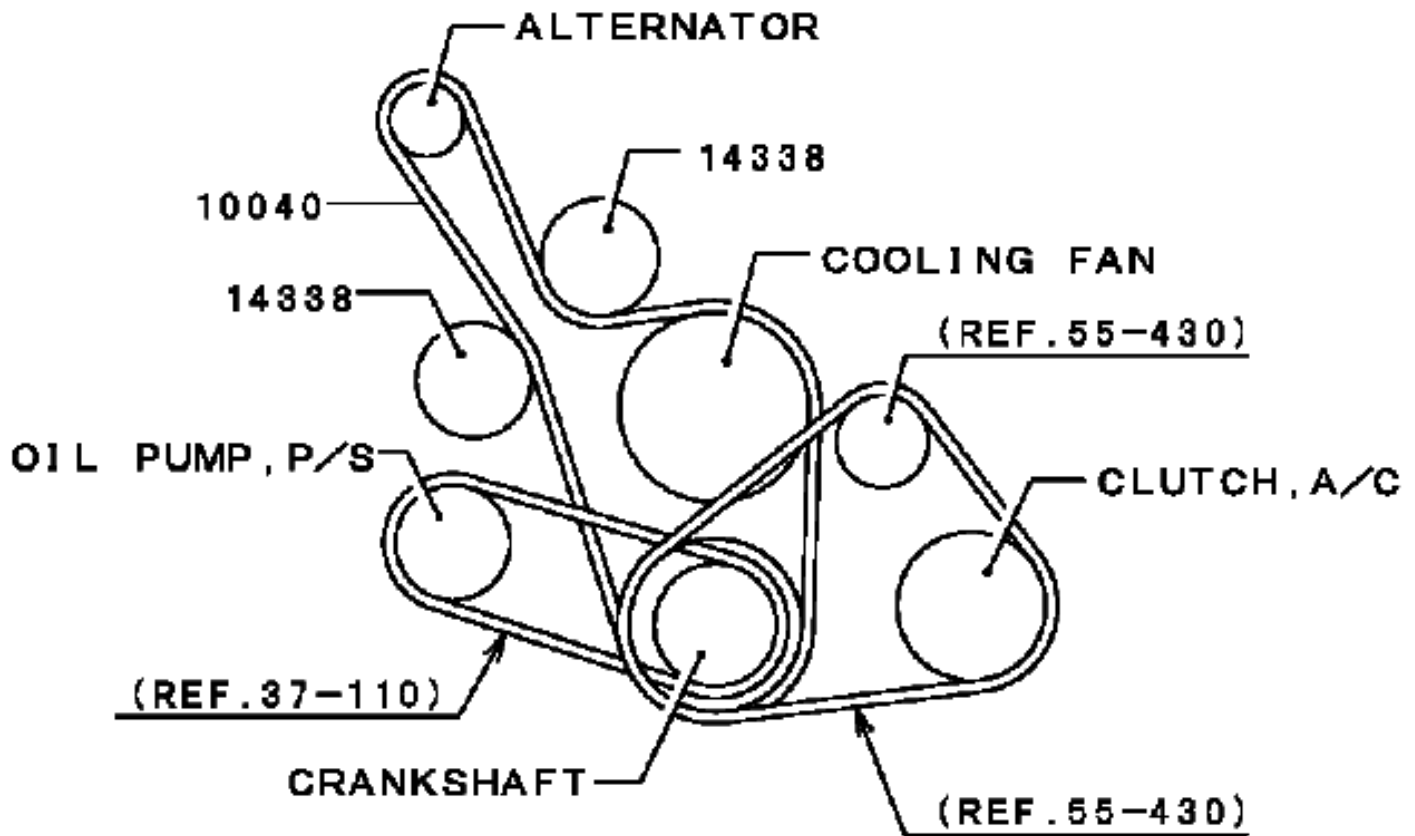
(A) REF. 14-120 (1)

(B) REF. 14-120 (2)

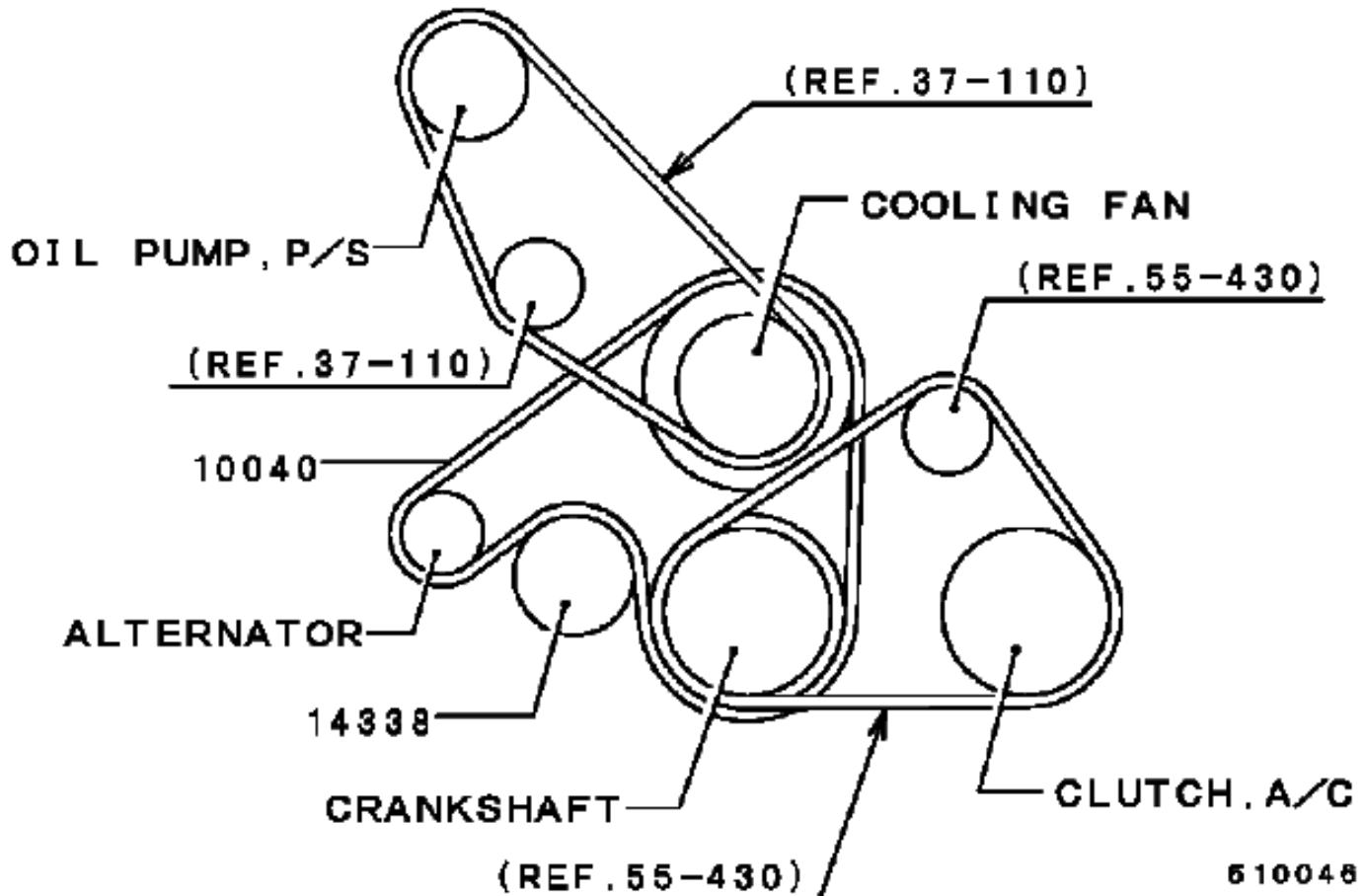


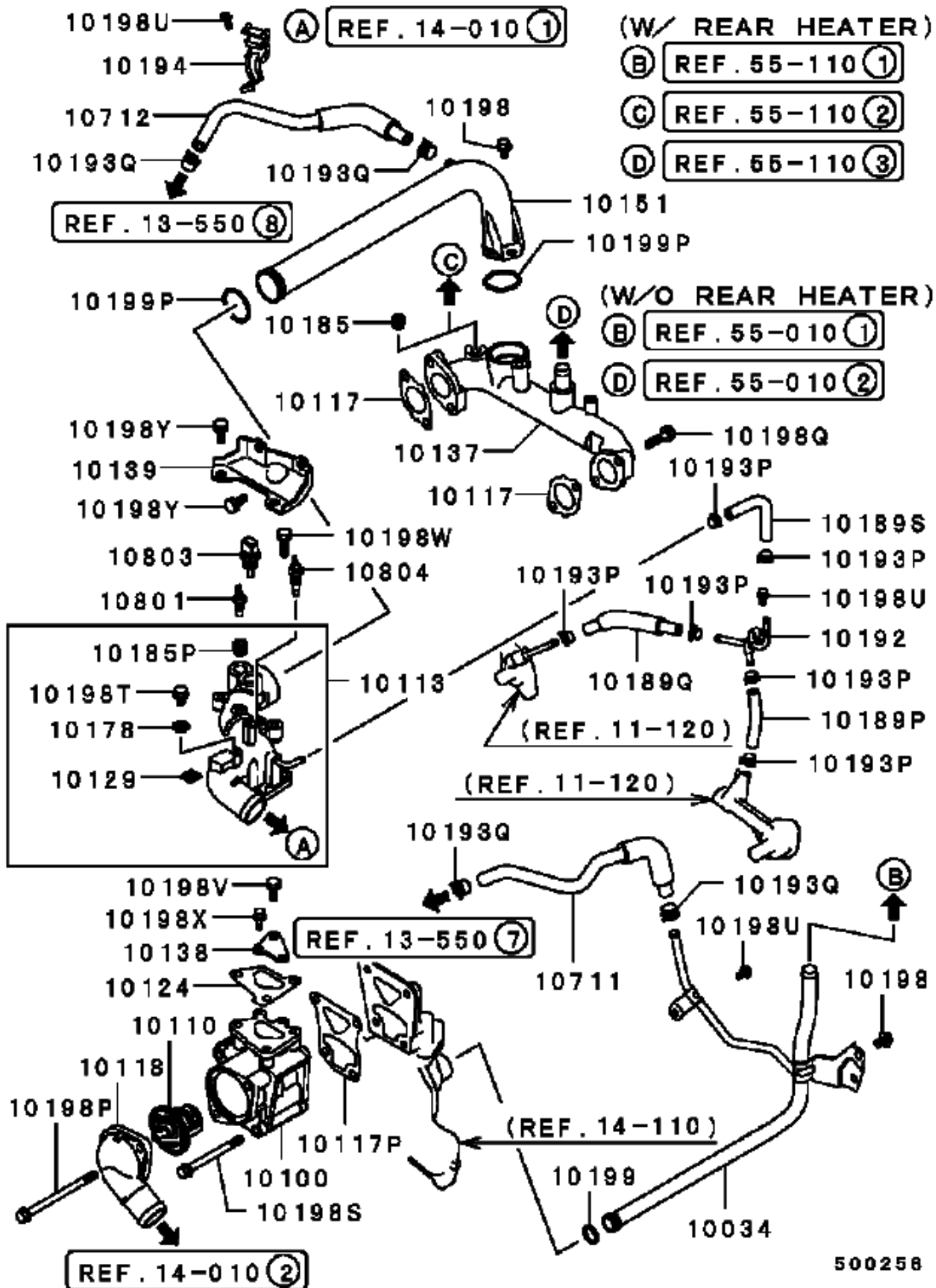


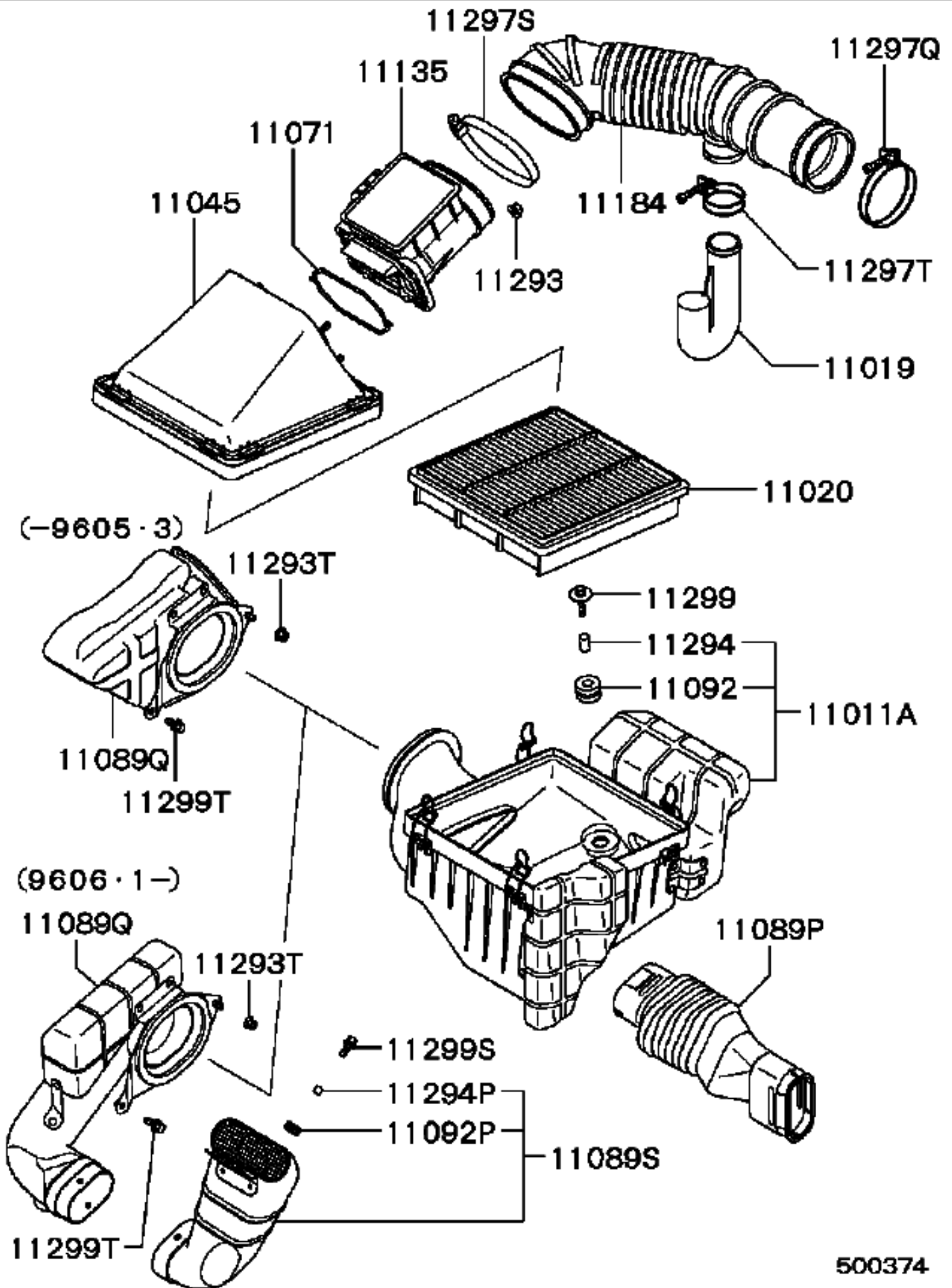
(-9405.3..SOHC)

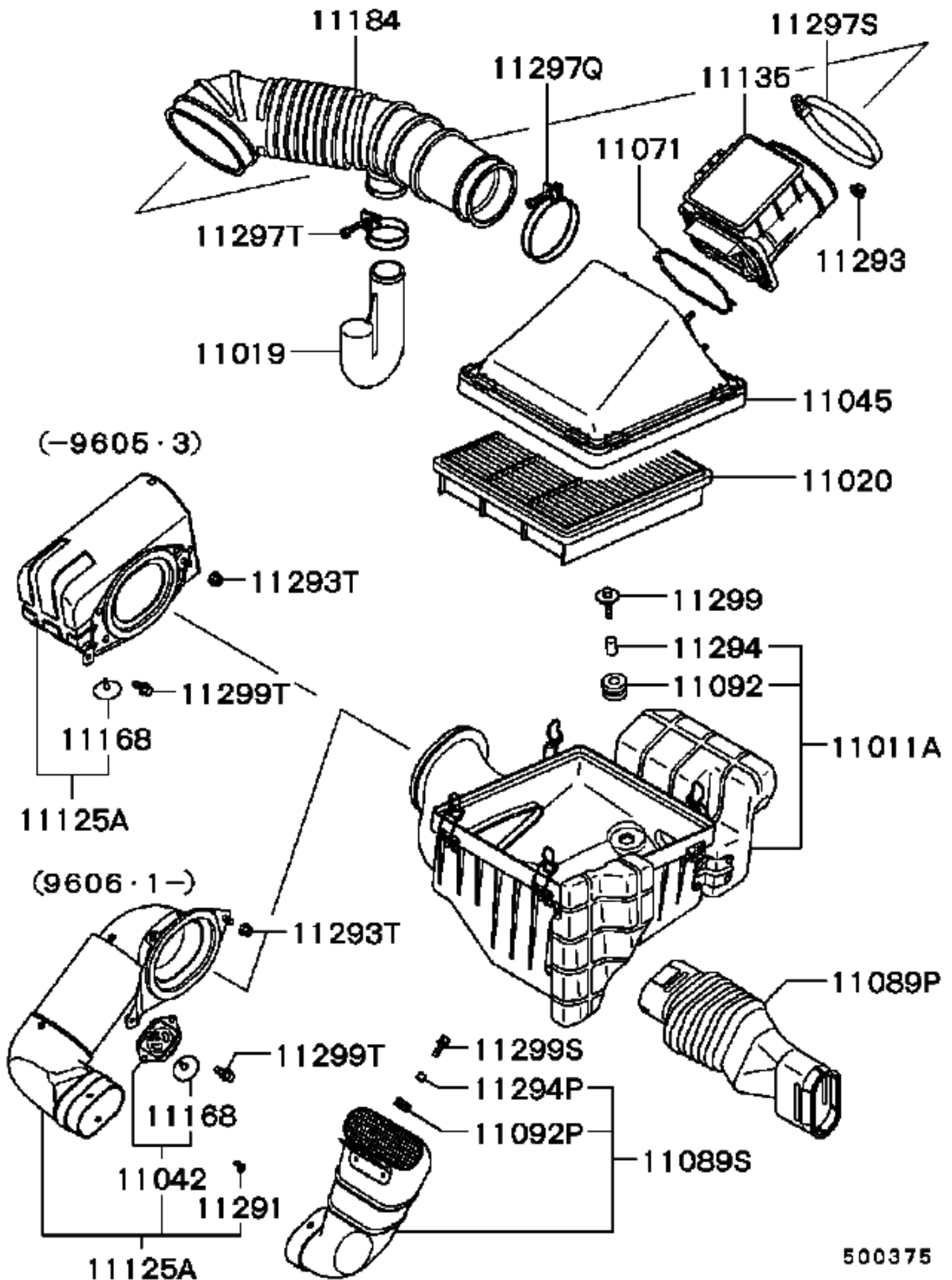


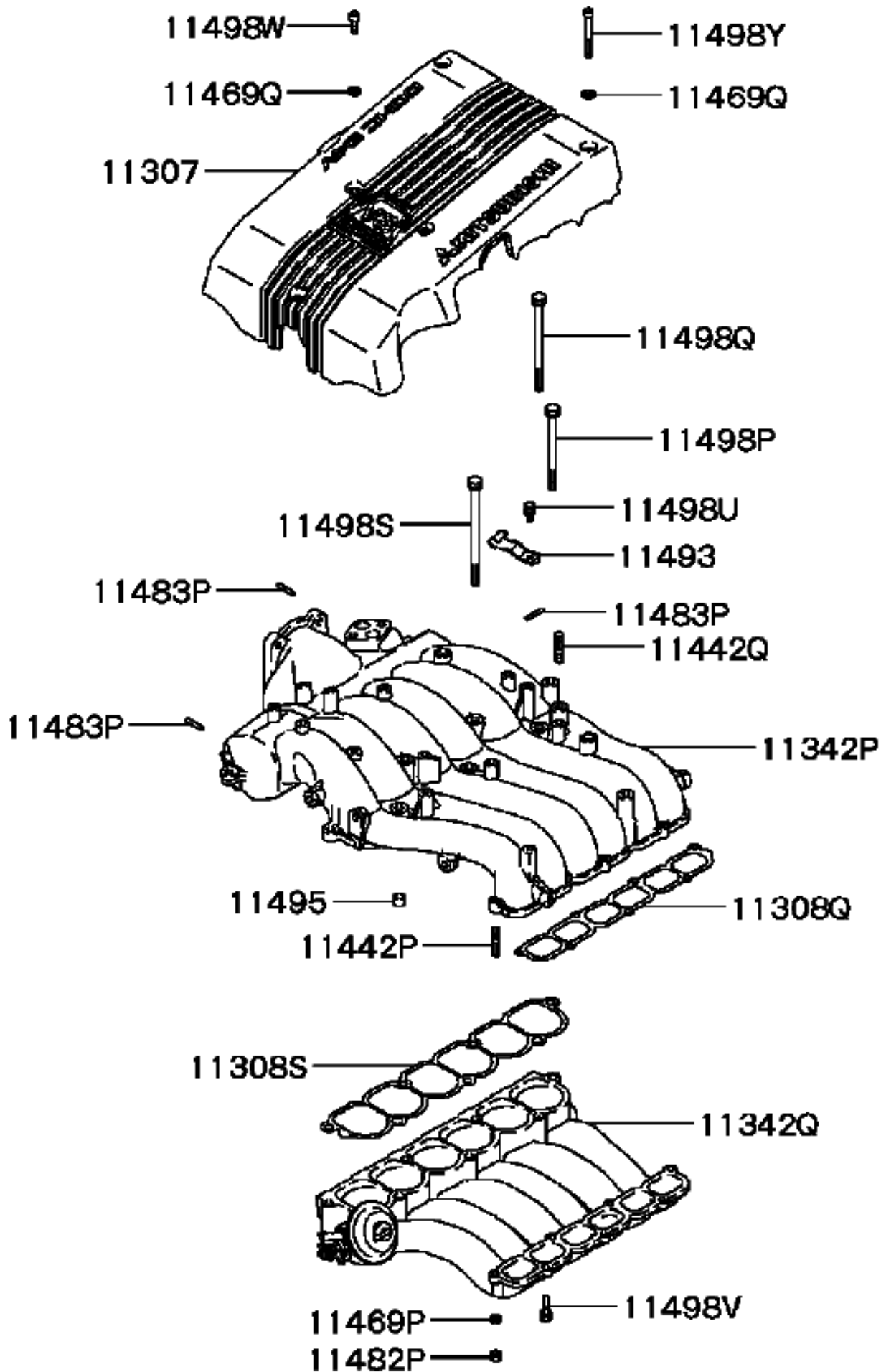
(9406.1-..SOHC;DOHC)

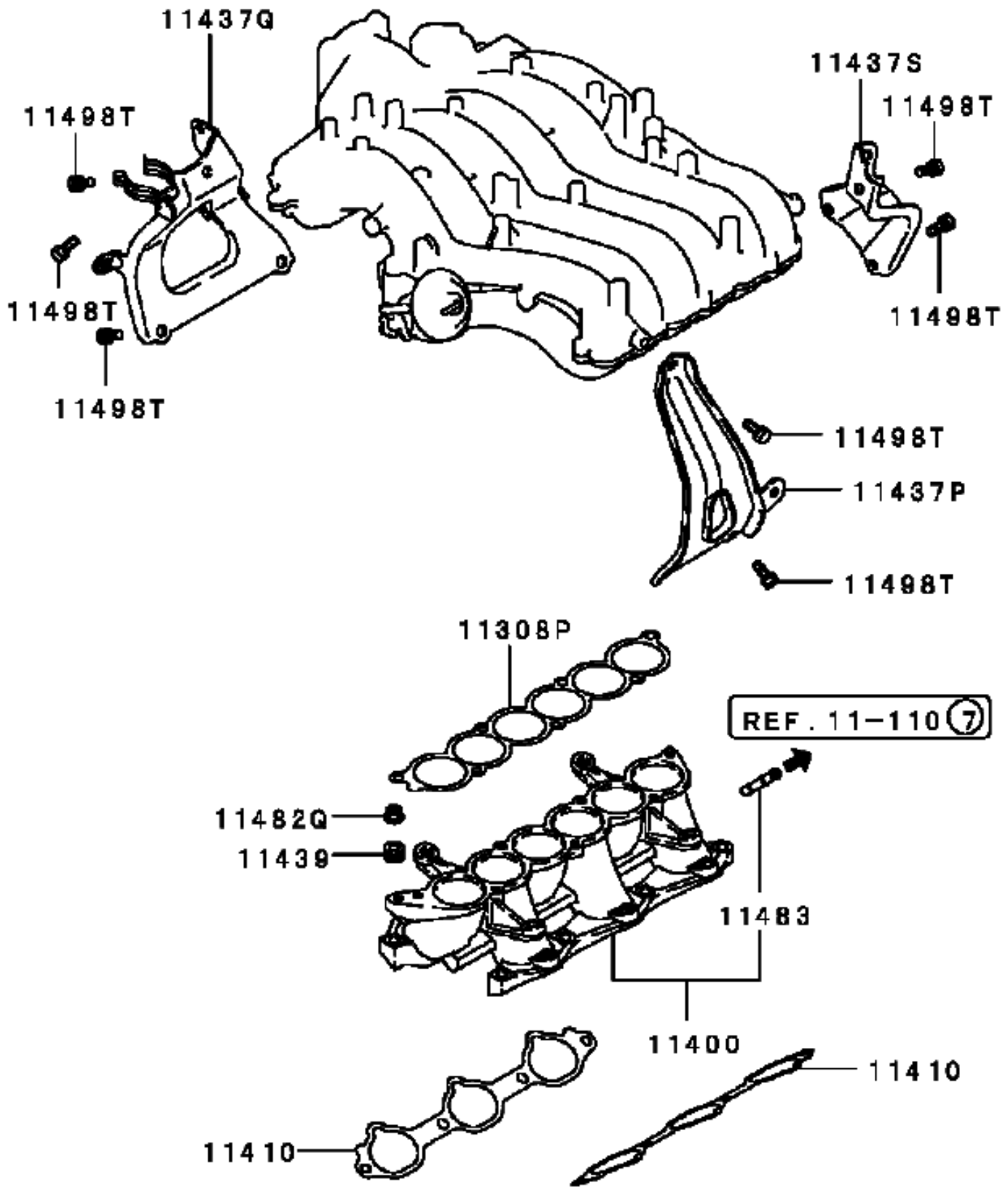


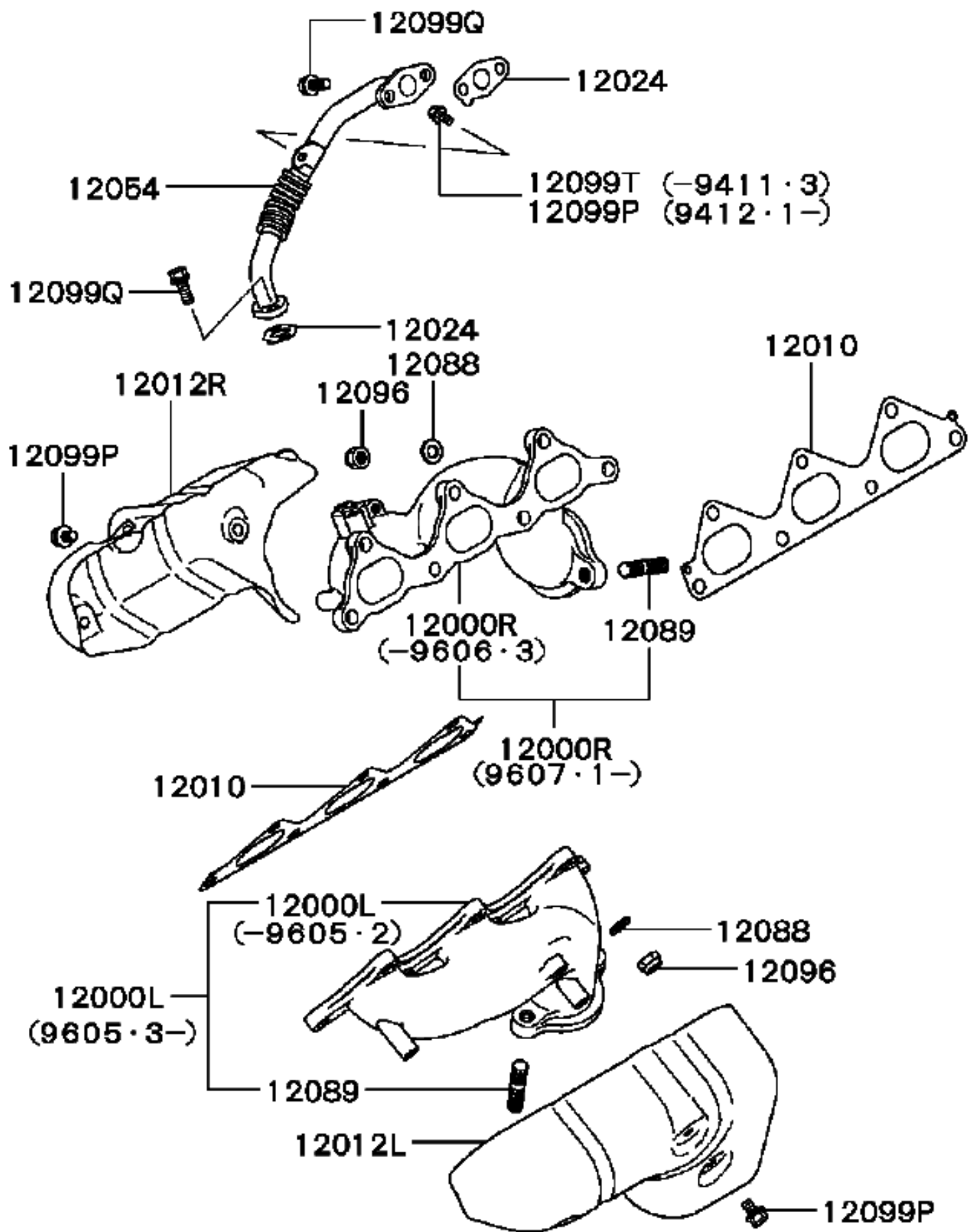


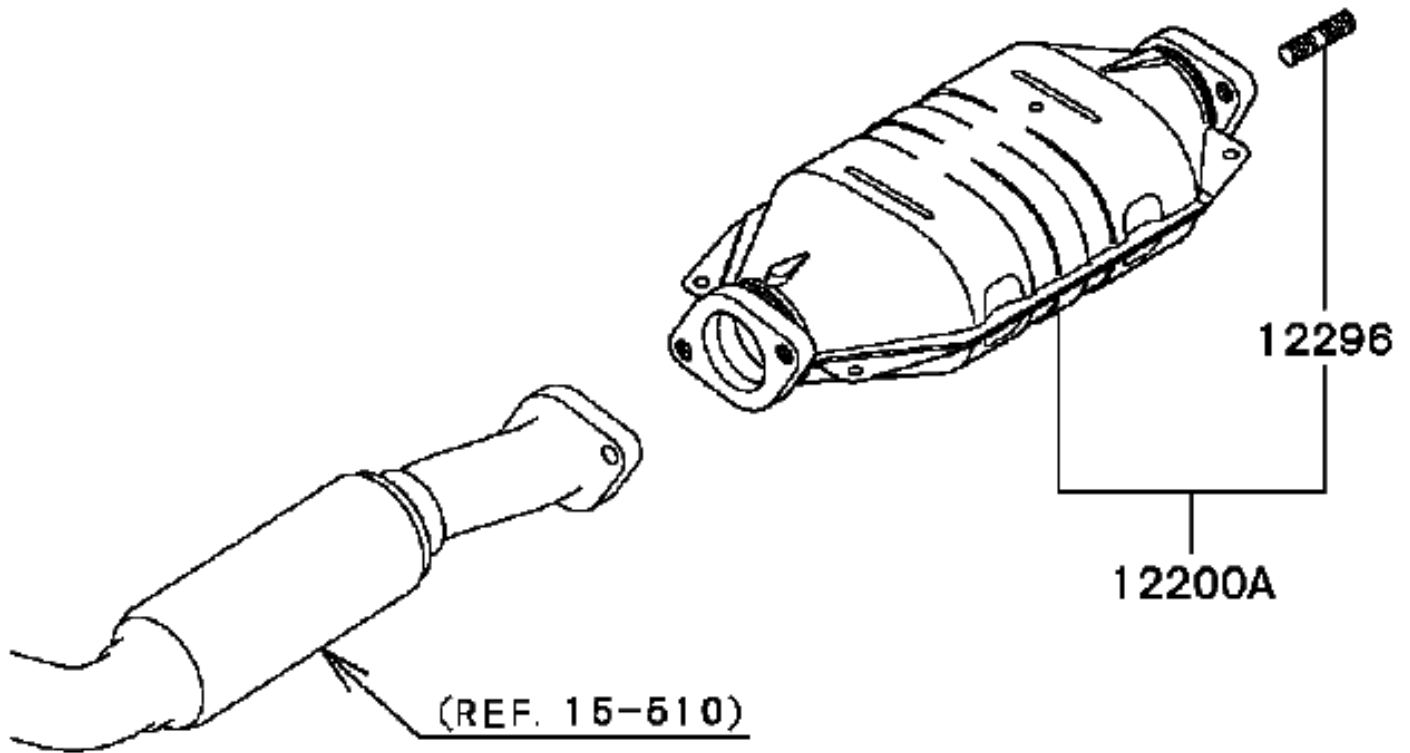


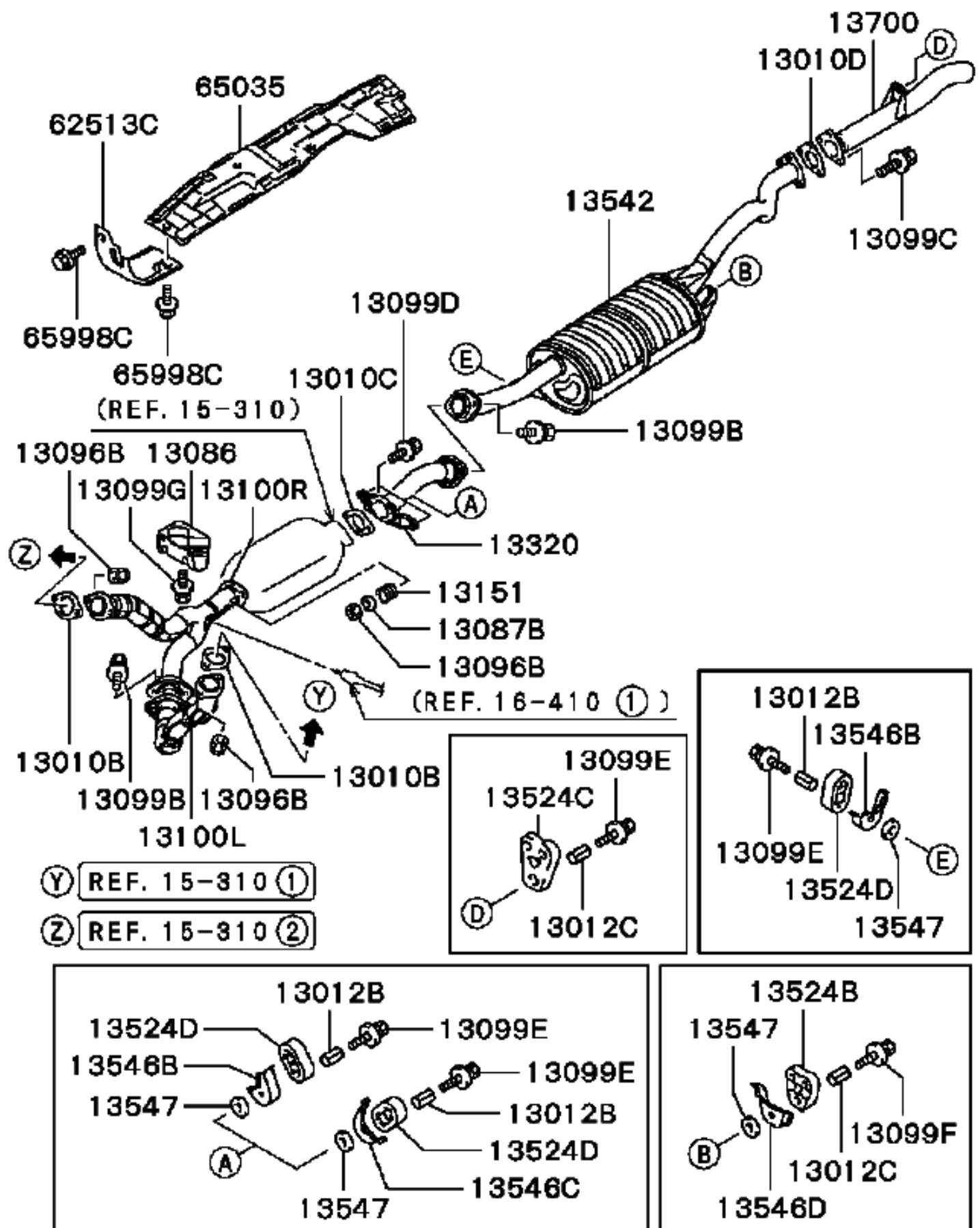


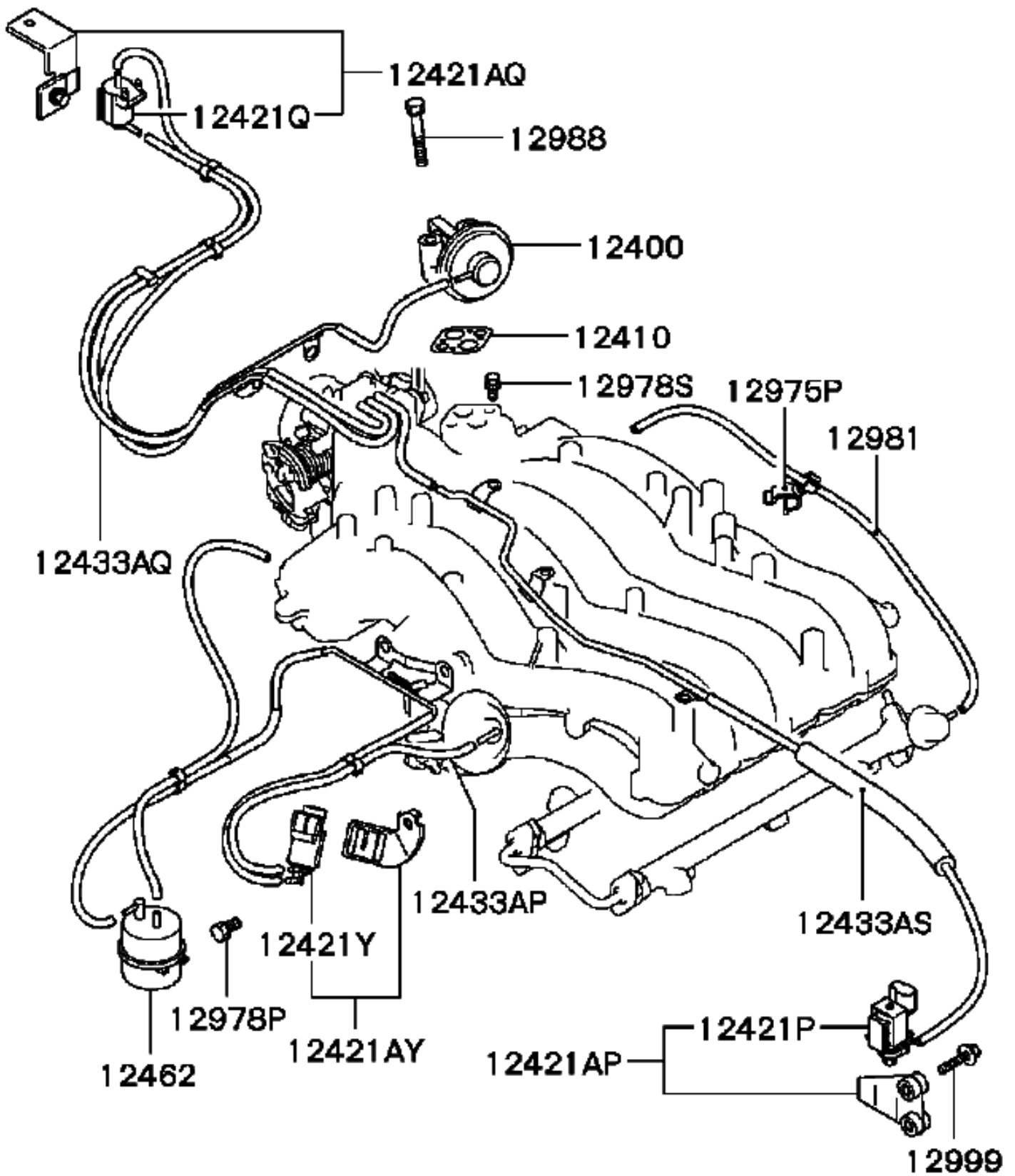








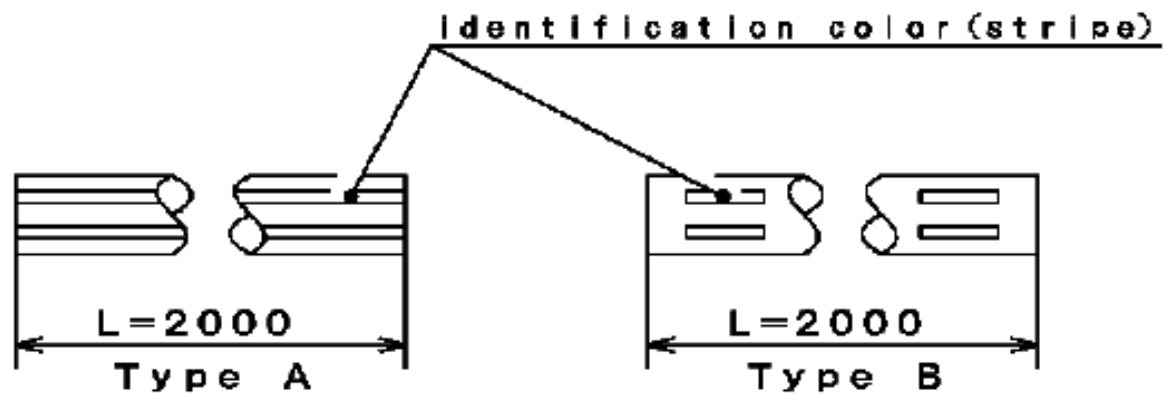




## VACUUM HOSE

**NOTE :**

Vacuum hose are supplied as the roll of 2 meter or vacuum hose assembly, cut into adequate length for each use of rolled hose.



Color	Part NO.	
	Type A	Type B
Stripe-less (Without stripe)	—————	MS632192
Light blue	MS630392	MS632392
White	MS630592	MS632592
Yellow	MS630792	MS632792
Green	MS630992	MS632992
Red	MS631192	MS633192

