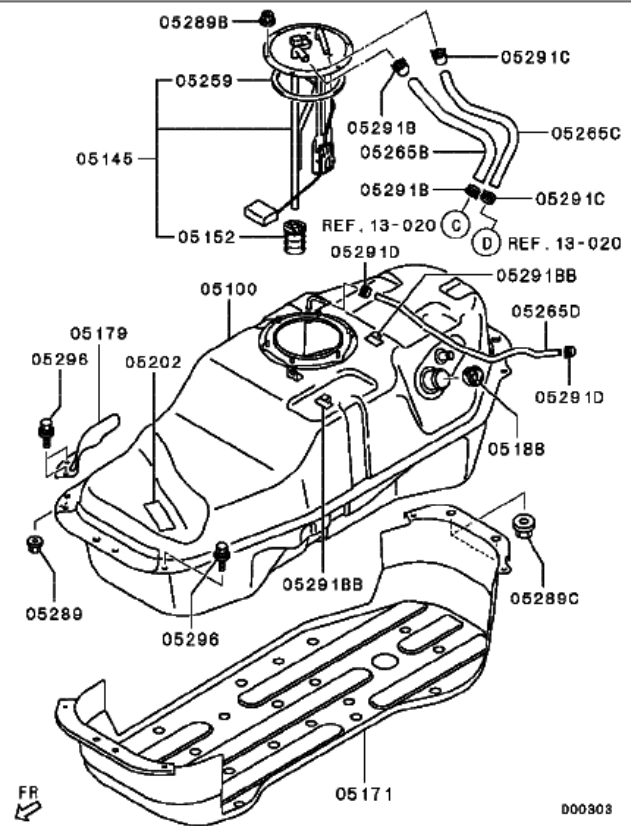




13-010 FUEL TANK / FUEL TANK



No	PNC
1	

Page 1 / 2 Reserved 1 / 1

< > << >>

OK

Back

Cancel

